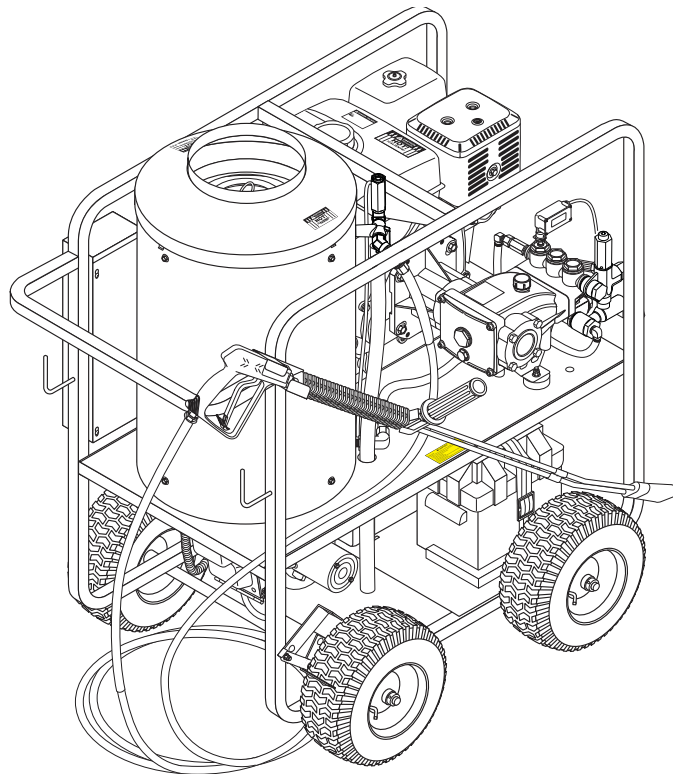




OPERATOR'S MANUAL



MODEL #	ORDER #
SGP-302517	1.110-059.0
SGP-303037	1.110-054.0
SGP-353037	1.110-055.0
SGP-353037	1.110-068.0
SGP-353037E	1.110-056.0
SGP-353037E	1.110-069.0
SGP-403537E	1.110-057.0
SGP-403537E	1.110-070.0

To locate your local Shark Commercial Pressure Washer Dealer nearest you,
visit www.shark-pw.com

CONTENTS





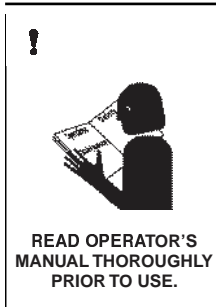
WARNING: This machine exceeds 85 db appropriate ear protection must be worn.



WARNING: High pressure spray can cause paint chips or other particles to become airborne and fly at high speeds. To avoid personal injury, eye, hand and foot safety devices must be worn.

5. Eye, hand, and foot protection must be worn when using this equipment.

6. Keep operating area clear of all persons.



WARNING: To reduce the risk of injury, read operating instructions carefully before using.

1. Read the owner's manual thoroughly. Failure to follow instructions could cause malfunction of the machine and result in death, serious bodily injury and/or property damage.
2. Know how to stop the machine and bleed pressure quickly. Be thoroughly familiar with the controls.
3. Stay alert — watch what you are doing.



WARNING: Keep wand, hose, and water spray away from electric wiring or fatal electric shock may result.

4. All installations must comply with local codes. Contact your electrician, plumber, utility company or the selling distributor for specific details.

IMPORTANT SAFETY INFORMATION

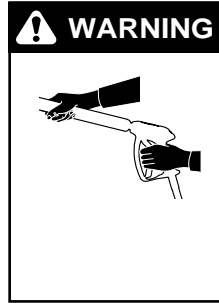
Gasoline engines on mobile or portable equipment shall be refueled:

- a. outdoors;
- b. with the engine on the equipment stopped;
- c. with no source of ignition within 10 feet of the dispensing point; and
- d. with an allowance made for expansion of the fuel should the equipment be exposed to a higher ambient temperature.

In an overfilling situation, additional precautions are necessary to ensure that the situation is handled in a safe manner.

WARNING: Risk of injury. Disconnect battery ground terminal before servicing.

8. When in use, do not place machine near flammable objects as the engine is hot.
9. Oil burning appliances shall be installed only in locations where combustible dusts and flammable gases or vapors are not present. Do not store or use gasoline near this machine.
10. Use No. 1 or No. 2 heating oil (ASTM D306) only. **NEVER** use gasoline in your fuel oil tank. Gasoline is more combustible than fuel oil and could result in a serious explosion. **NEVER** use crankcase or waste oil in your burner. Fuel unit malfunction could result from contamination.
11. Do not confuse gasoline and fuel oil tanks. Keep proper fuel in proper tank.

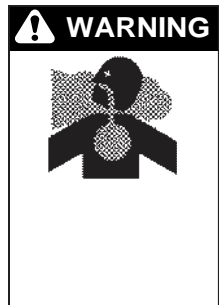


WARNING: Protect machine from freezing.

16. To keep machine in best operating conditions, it is important you protect machine from freezing. Failure to protect machine from freezing could cause malfunction of the machine and result in death, serious bodily injury, and/or property damage. Follow storage instructions specified in this manual.



WARNING: Risk of injury. Hot surfaces can cause burns. Use only designated gripping areas of spray gun and wand. Do not place hands or feet on non-insulated areas of the pressure washer.



17. Inlet water must be clean fresh water and no hotter than 90°F.

12. Transport/Repair with fuel tank EMPTY or with fuel shut-off valve OFF.



IMPORTANT SAFETY INFORMATION



WARNING: *Be extremely careful when using a ladder, scaffolding or any other relatively unstable location. The cleaning area should have adequate slopes and drainage to reduce the possibility of a fall due to slippery surfaces.*

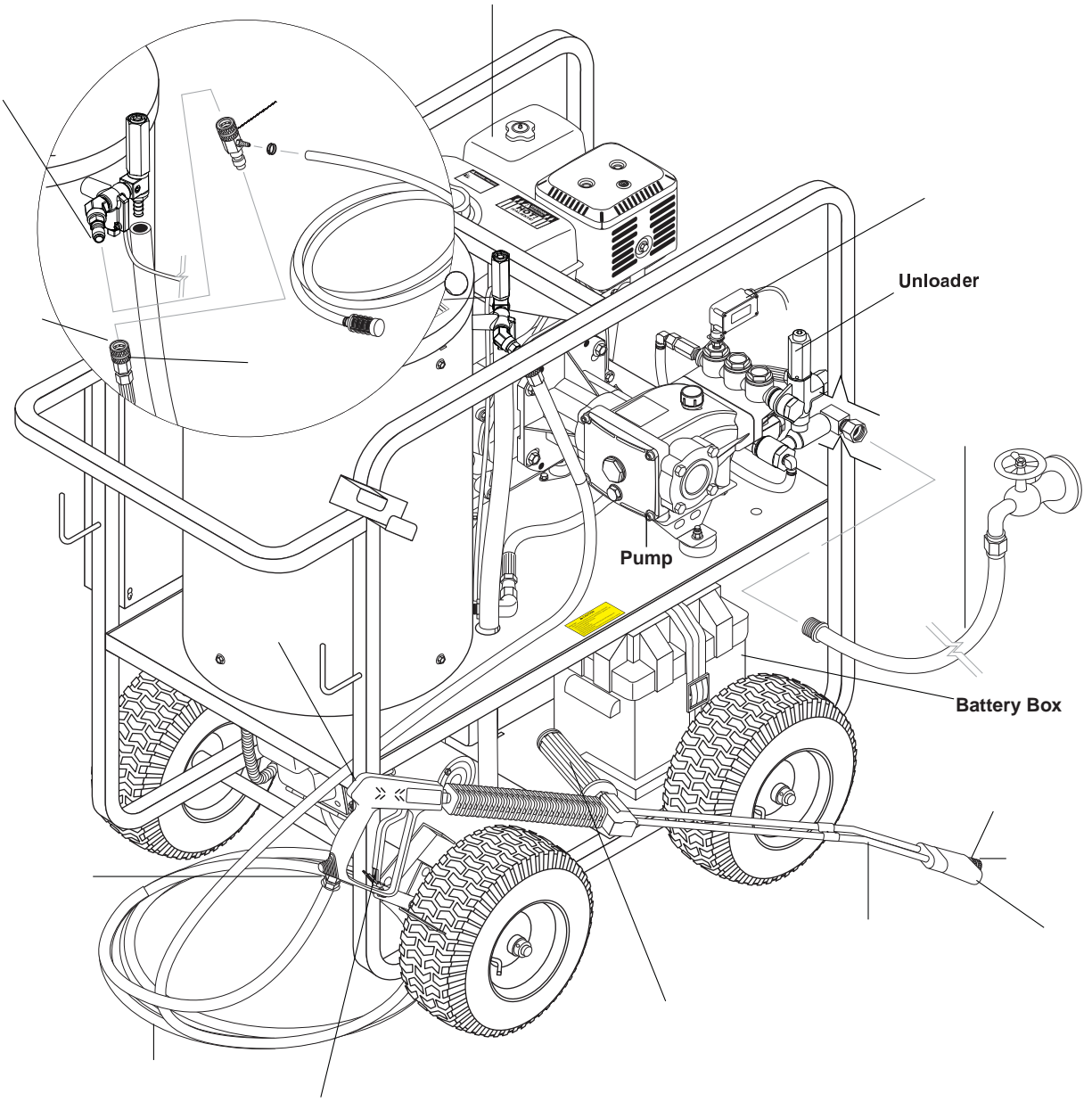
21. Do not allow acids, caustic or abrasive fluids to pass through the pump.
22. Never run pump dry or leave spray gun closed longer than 1-2 minutes.
23. Machines with shut-off spray gun should not be operated with the spray gun in the off position for extensive periods of time as this may cause damage to the pump.
24. Protect discharge hose from vehicle traffic and sharp objects. Inspect condition of high pressure hose before using or bodily injury may result.
25. Before disconnecting discharge hose from water outlet, turn burner off and open spray gun to allow water to cool below 100° before stopping the machine. Then open the spray gun to relieve pressure. Failure to properly cool down or maintain the heating coil may result in a steam explosion.

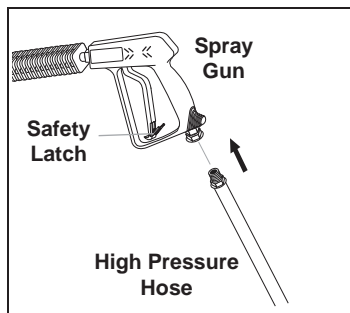


WARNING: *Moving this machine on a incline may cause instability and could result in the machine tipping over. Equipment damage or body harm could occur.*

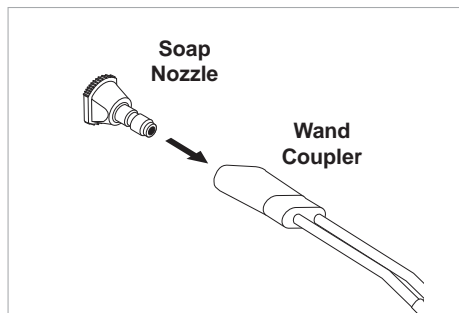
26. Do not overreach or stand on unstable support. Keep good footing and balance at all times.
27. Do not operate this machine when fatigued or under the influence of alcohol, prescription medications, or drugs.
28. In oil burning models, use only kerosene, No. 1 home heating fuel, or diesel. If diesel is used, add a soot remover to every tankful.



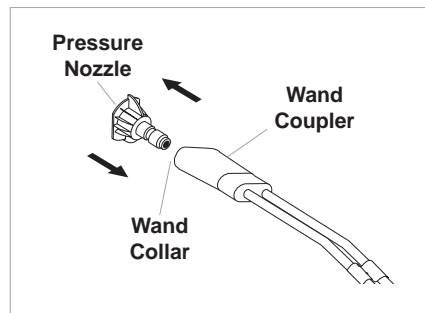




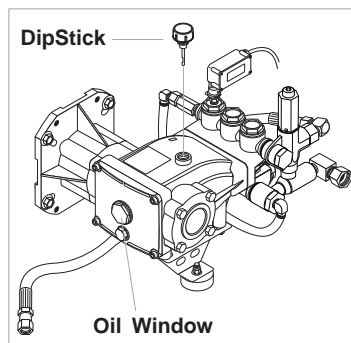
STEP 1: Attach the high pressure hose to the spray gun using teflon tape on hose threads.



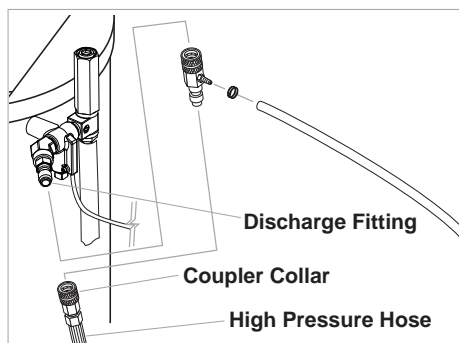
STEP 2: Pull the spring-loaded collar of the wand coupler back to insert your choice of pressure nozzle.



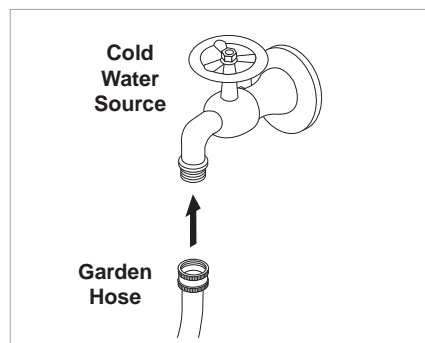
STEP 3: Release the coupler collar and push the nozzle until the collar clicks. Pull the nozzle to make sure it is seated properly.



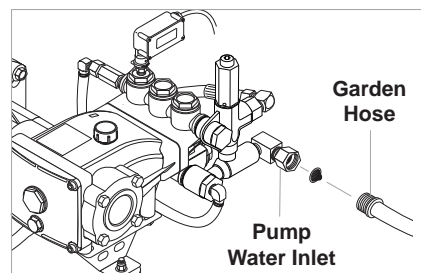
STEP 4: Remove shipping cap and install oil dipstick. Check pump oil level by using dipstick or observe oil level in oil window (if equipped). Use 30 wt. non detergent oil.



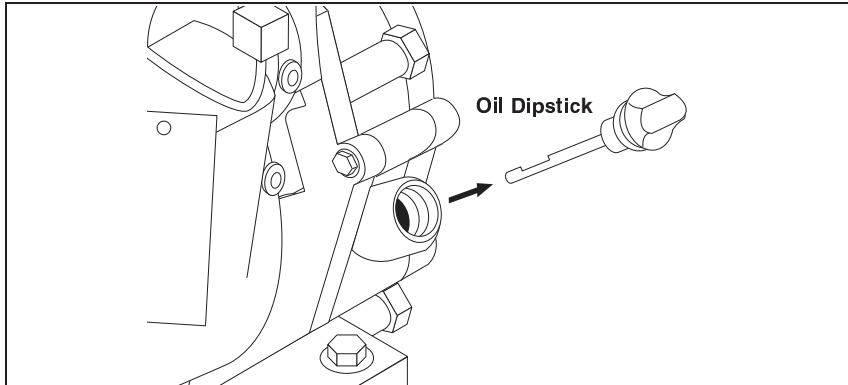
STEP 5: Connect the high pressure hose to the pump discharge fitting. Push coupler collar forward until secure.



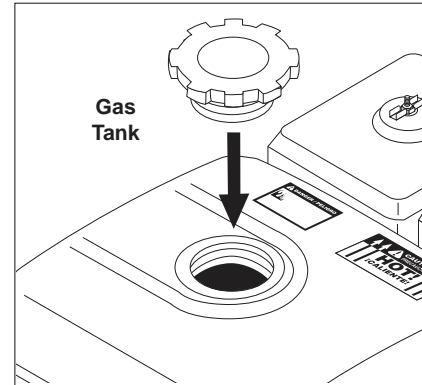
STEP 6: Connect garden hose to the cold water source.



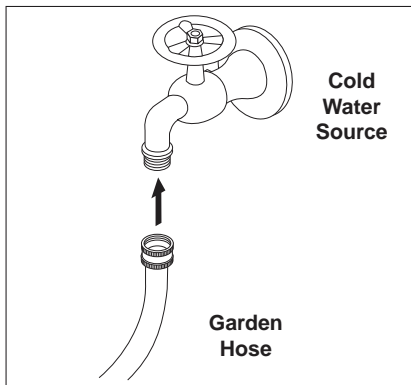
STEP 7: Connect the garden hose to pump water inlet. Inspect inlets.
CAUTION: Do not run the pump without water or pump damage will result.



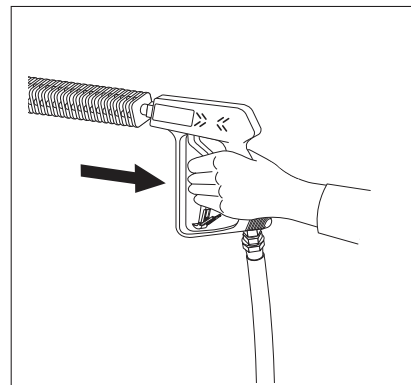
STEP 1: Check engine oil level. Oil level should be level with the bottom of the oil filler neck. Be sure the machine is level when checking the oil level. (Refer to the engine's operating manual included with machine.) We recommend that the oil be changed after the first 5 hours of use, then once every 50 hours. **Note:** Improper oil levels will cause low oil sensor to shut off engine. **IMPORTANT! Do not run engine with high or low oil levels as this will cause engine damage.**



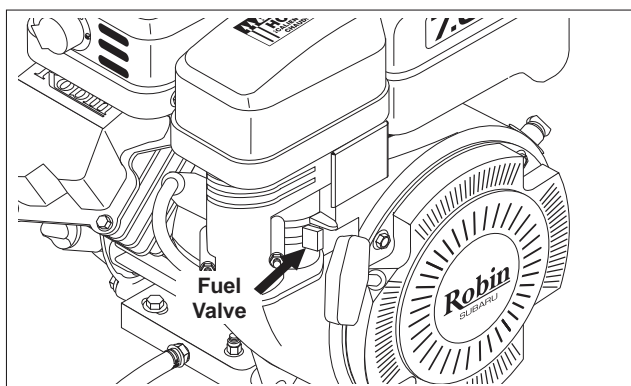
STEP 2: Fill gas tank with unleaded gasoline. Do not use leaded gasoline. **Caution: Read warnings on pg. 4 and engine manual.**



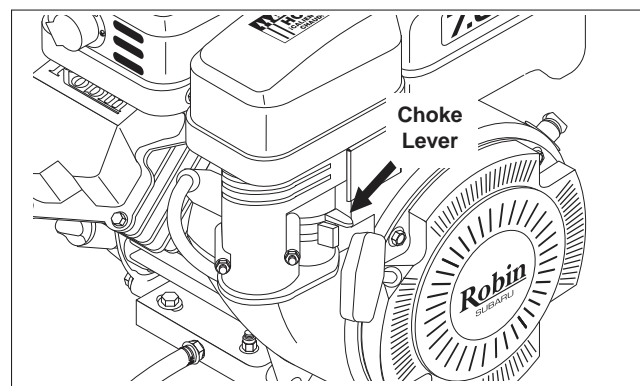
STEP 3: Connect garden hose to the cold water source and turn water on completely. Never use hot water.



STEP 4: Trigger the spray gun to eliminate trapped air then wait for a steady flow of water to emerge from the spray nozzle.

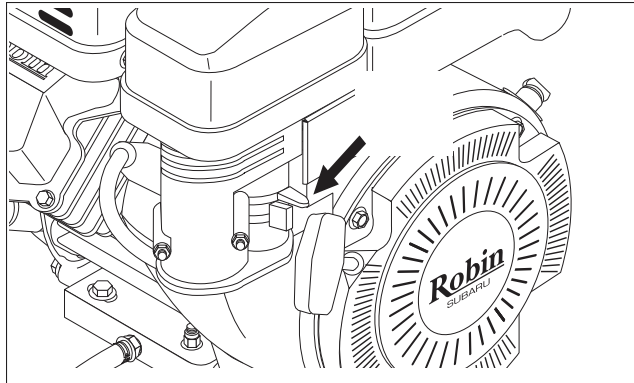


STEP 5: Rotate the fuel shut-off valve to the "On" position. Slide the fuel valve lever to the "ON" position. When the engine is not in use, leave the fuel valve in the "OFF" position.

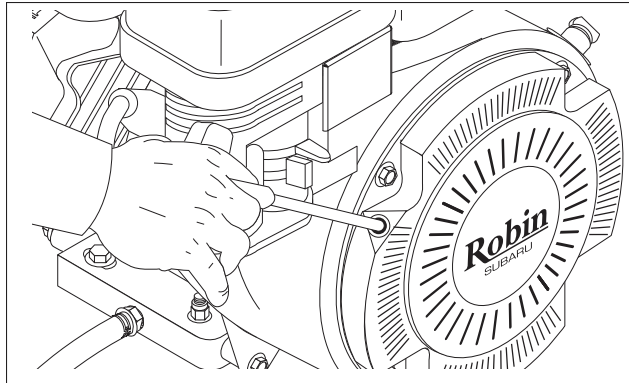


STEP 6: Pull the choke lever out to the "Choke" position (on a warm engine, leave the choke lever in, in the run position). Push the choke lever to the "Closed" position. To restart a warm engine, leave the choke lever in the "Open" position.

OPERATING INSTRUCTIONS

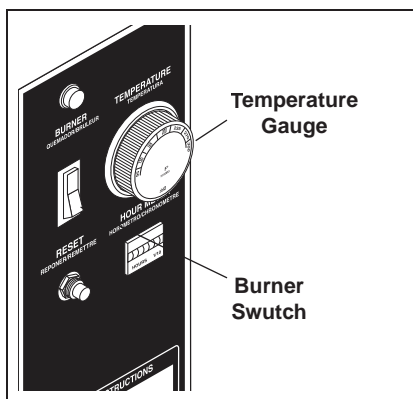


STEP 7: Turn the engine to "Run" position.

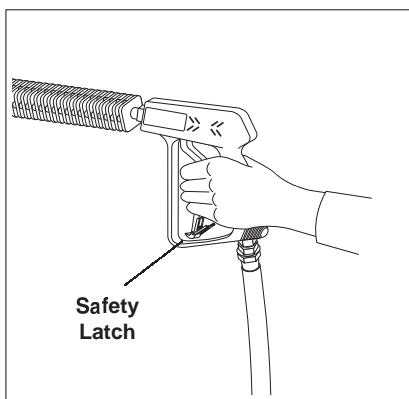


STEP 8: Pull the starter grip. If the engine fails to start after 2 pulls, squeeze the trigger gun to release pressure and repeat step. Return starter gently. After the engine warms up enough to run smoothly, move choke to run position and throttle to fast position.

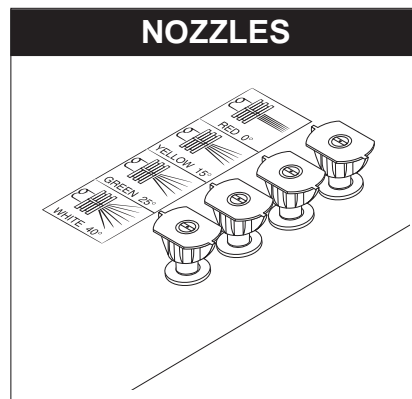
CAUTION: Small engines may kick back. Do not hold pull starter grip tightly in hand.



STEP 9: If hot water is required. Adjust temperature gauge to proper temperature (200°). Turn on Burner switch to begin heating water.

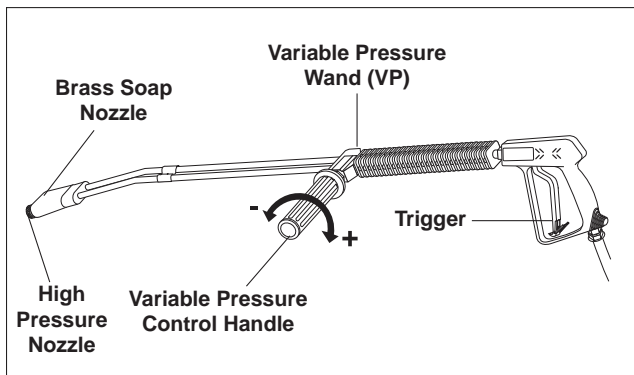


WARNING! Never replace nozzles without engaging the safety latch on the spray gun trigger.



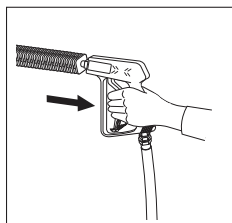
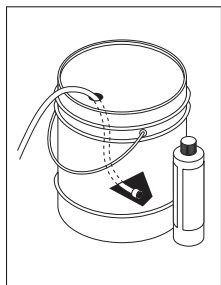
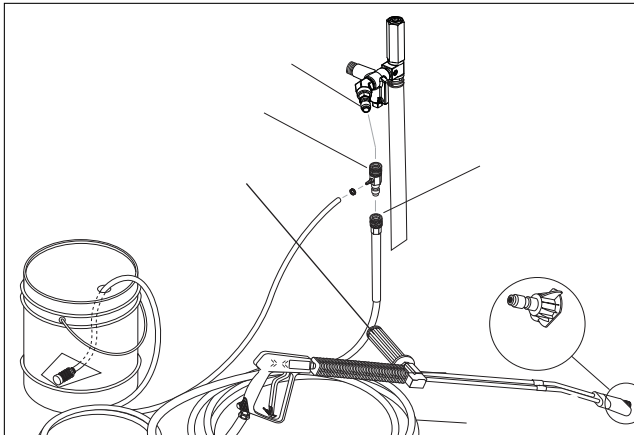
The four color-coded quick connect nozzles provide a wide array of spray widths from 0° to 40° and are easily accessible when placed in the convenient rubber nozzle holder, which is provided on the front of the machine.

NOTE: For a more gentle rinse, select the white 40° or green 25° nozzle. To scour the surface, select the yellow 15° or red 0° nozzle. To apply detergent select the black nozzle.



Selection of high or low pressure is accompanied by turning the handle. **NOTE:** High pressure nozzle must be inserted at end of wand to obtain high pressure. To apply soap read operator's manual.

DETERGENTS AND CLEANING TIPS



THERMAL PUMP PROTECTION

If you run the engine on your pressure washer for 3-5 minutes without pressing the trigger on the spray gun, circulating water in the pump can reach high temperatures. When the water reaches this temperature, the pump protector engages and cools the pump by discharging the warm water onto the ground. This thermal device prevents internal damage to the pump.

CLEANING TIPS

Pre-rinse cleaning surface with fresh water. Place detergent suction tube directly into cleaning solution and apply to surface at low pressure (for best results, limit your work area to sections approximately 6' square and always apply detergent from bottom to top). Allow detergent to remain on surface 1-3 minutes. Do not allow detergent to dry on surface. If surface appears to be drying, simply wet down surface with fresh water. If needed, use brush to remove stubborn dirt. Rinse at high pressure from top to bottom in an even sweeping motion keeping the spray nozzle approximately 1' from cleaning surface. Use overlapping strokes as you clean and rinse any surface. For best surface cleaning action spray at a slight angle.

Recommendations:

- Before cleaning any surface, an inconspicuous area should be cleaned to test spray pattern and distance for maximum cleaning results.
- If painted surfaces are peeling or chipping, use extreme caution as pressure washer may remove the loose paint from the surface.
- Keep the spray nozzle a safe distance from the surface you plan to clean. High pressure wash a small area, then check the surface for damage. If no damage is found, continue to pressure washing.

CAUTION - Never use:

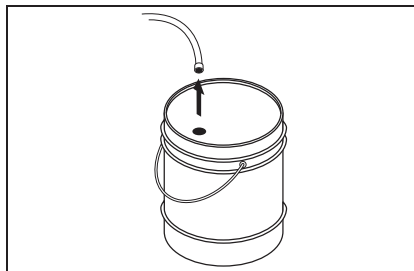
- Bleach, chlorine and other corrosive chemicals
- Liquids containing solvents (i.e., paint thinners, gasoline, oils)
- Tri-sodium phosphate products
- Ammonia products
- Acid-based products

These chemicals will harm the machine and will damage the surface being cleaned.

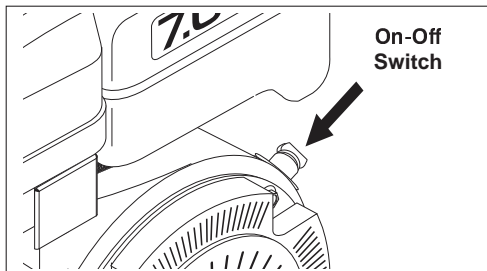
RINSING

It will take a few seconds for the detergent to clear. Apply safety latch to spray gun. Remove black soap nozzle from the quick coupler. Select and install the desired high pressure nozzle. **NOTE:** You can also stop detergent from flowing by simply removing detergent siphon tube from bottle.

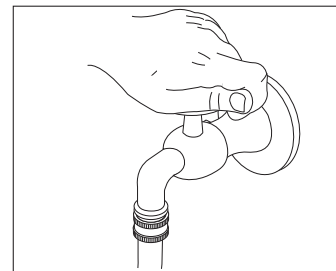
SHUTTING DOWN AND CLEAN-UP



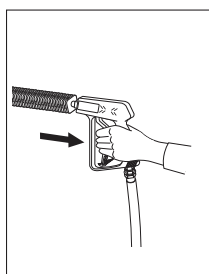
STEP 1: Remove detergent suction tube from container and insert into 1 gallon of fresh water. Turn variable pressure wand handle for low pressure or connect the black detergent nozzle. Pull trigger on spray gun and siphon water for one minute.



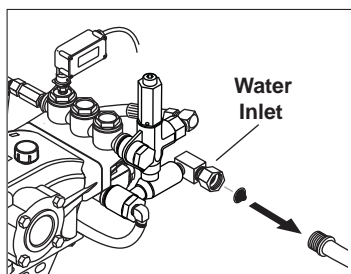
STEP 2: Turn off the engine.



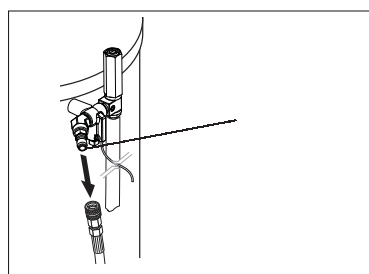
STEP 3: Turn off water supply.



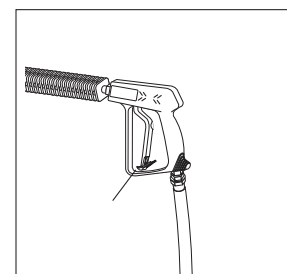
STEP 4: Press trigger to release water pressure.



STEP 5: Disconnect the garden hose from the water inlet on the machine.



STEP 6: Disconnect the high pressure hose from high pressure outlet.



STEP 7: Engage the spray gun safety lock.

STORAGE

CAUTION: Always store your pressure washer in a location where the temperature will not fall below 32°F (0°C). The pump in this machine is susceptible to permanent damage if frozen. **FREEZE DAMAGE IS NOT COVERED BY WARRANTY.**

1. Stop the pressure washer, squeeze spray gun trigger to release pressure.
2. Detach water supply hose and high pressure hose.
3. Turn on the machine for a few seconds, until remaining water exits. Turn engine off immediately.
4. Drain the gas and oil from the engine.
5. Do not allow high pressure hose to become kinked.
6. Store the machine and accessories in a room which does not reach freezing temperatures.

CAUTION: Failure to follow the above directions will result in damage to your pressure washer.

When the pressure washer is not being operated or is being stored for more than one month, follow these instructions:

1. Replenish engine oil to upper level.
2. Drain gasoline from fuel tank, fuel line, fuel valve and carburetor.
3. Pour about one teaspoon of engine oil through the spark plug hole, pull the starter grip several

times and replace the plug. Then pull the starter grip slowly until you feel increased pressure which indicates the piston is on its compression stroke and leave it in that position. This closes both the intake and exhaust valves to prevent rusting of cylinder.

4. Cover the pressure washer and store in a clean, dry place that is well ventilated away from open flame or sparks. **NOTE:** The use of a fuel additive, such as STA-BIL®, or an equivalent, will minimize the formulation of fuel deposits during shortage. Such additives may be added to the gasoline in the fuel tank of the engine, or to the gasoline in a storage container.

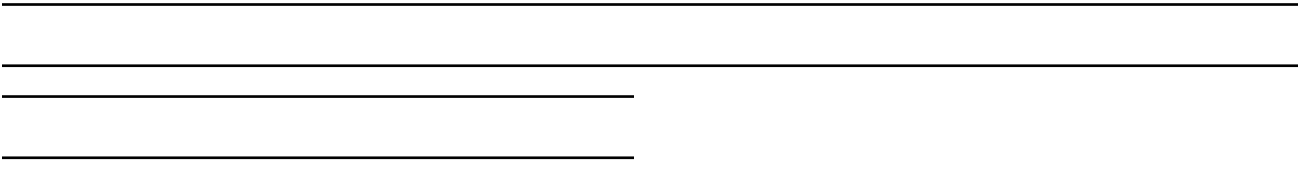
After Extended Storage

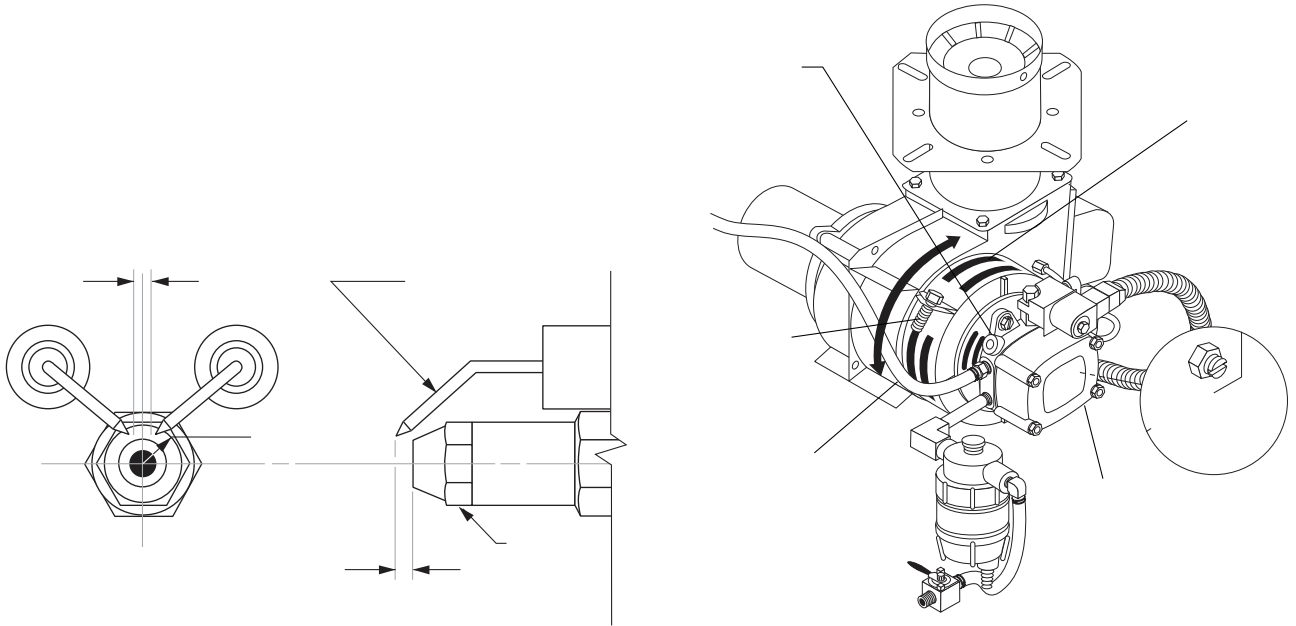


CAUTION: Prior to restarting, thaw out any possible ice from pressure washer hoses, spray gun or wand.

Engine Maintenance

During the winter months, rare atmospheric conditions may develop which will cause an icing condition in the carburetor. If this develops, the engine may run rough, lose power and may stall. This temporary condition can be overcome by deflecting some of the hot air from the engine over the carburetor area. **NOTE:** Refer to the engine manufacturer's manual for service and maintenance of the engine.







CAUTION: *If white smoke appears from burner exhaust vent during start-up or operation, discontinue use and readjust air bands.*

NOTE: If a flue is installed, have a professional serviceman adjust your burner for a #1 or #2 smoke spot on the Bacharach scale.

PROBLEM	POSSIBLE CAUSE	SOLUTION
LOW OPERATING PRESSURE	Water supply is insufficient	Use larger supply hose; clean filter at water inlet.
	Spray nozzle is old, worn or incorrect	Match the nozzle number to the machine and/or replace with new nozzle.
	Belt slips	Tighten or replace belt; use correct belt.
	Plumbing or hose is leaking	Check plumbing system for leaks. Retape leaks with teflon tape.
	Unloader is faulty or misadjusted	Adjust unloader for proper pressure. Install repair kit when necessary or replace.
	Packing in pump is worn	Install new packing kit.
	Discharge valve in pump or inlet is fouled or dirty	Check inlet and discharge valve.
	Discharge valve or inlet is worn	Replace with valve kit.
	Spray nozzle has obstruction	Remove obstruction.
	Steam pressure control valve is leaking (where applicable)	Rebuild or replace as necessary.
	Engine RPM is slow	Set engine speed at proper specifications / see serial plate.
BURNER WILL NOT LIGHT	There is little or no fuel	Fill tank with fuel.
	Improper fuel or water in fuel	Drain fuel tank and fill with proper fuel.
	Fuel line is clogged	Clean or replace fuel line.
	Fuel filter is plugged	Replace fuel filter as needed.
	Burner air bands are misadjusted	Readjust air bands for clean burn.
	Little or no fuel pressure from fuel pump	Increase fuel pressure to specification and/or replace fuel pump.
	Burner transformer is faulty	Test transformer for proper arc between contacts. Replace as needed.
	Electrical wiring is disconnected or has short in it	All wire contacts should be clean and tight with no breaks in wire.
	Flex coupling is slipping on fuel pump shaft or burner motor shaft	Replace if needed.
	ON-OFF switch is defective	Check for electrical current reaching burner assembly with burner switch on. Replace switch if needed.
	Heavy sooting on coil and burner can cause interruption of air flow and shorting of electrodes	Clean as required.
	Electrode setting is improper	Check and reset according to diagram in manual.
	25 amp circuit breaker tripped	Push in reset button.
	Bridge rectifier defective	Test and replace.
12V DC relay defective	Test and replace.	

PROBLEM	POSSIBLE CAUSE	SOLUTION
BURNER WILL NOT LIGHT (continued from previous page)	Burner nozzle is clogged	Clean as required.
	Thermostat has malfunctioned	Test and replace if needed.
	Fuel solenoid has malfunctioned	Test and replace if needed.
MACHINE SMOKES	Fuel is improper or water is in fuel	Drain tank and replace contaminated fuel.
	Air adjustment is improper	Readjust air bands on burner assembly.
	Fuel pressure is low	Adjust fuel pump pressure to specifications.
	Burner nozzle is plugged or dirty	Replace nozzle. Check parts breakdown for nozzle size.
	Burner nozzle spray pattern is faulty	Replace nozzle. Check parts breakdown for nozzle size.
	Coil and burner assembly have heavy accumulation of soot	Remove coils and burner assembly, clean thoroughly. Call local dealer.
	Electrode setting is misaligned	Realign electrodes to specifications.
	Smoke stack has obstruction	Check for blockage or other foreign objects.
	Engine RPM is low	Increase RPM to correct specs. See serial plate.
LOW WATER TEMPERATURE	Fuel is improper or has water in it	Replace with clean and proper fuel.
	Fuel pressure is low	Increase fuel pressure.
	Fuel pump is weak	Check fuel pump pressure. Replace pump if needed.
	Fuel filter is partially clogged	Replace as needed.
	Soot buildup on coils is not allowing heat transfer	Clean coils.
	Burner nozzle is improper	Call your local dealer for proper nozzle.
WATER TEMPERATURE TOO HOT	Incoming water to machine is warm or hot	Lower incoming water temperature.
	Fuel pump pressure is too high	Call your local dealer for proper fuel pressure.
	Fuel pump is defective	Replace fuel pump.
	Fuel nozzle is incorrect size	See parts breakdown or serial plate for proper size.
	Water supplied is insufficient	Check water GPM to machine.
	Water flow is restricted	Check nozzle for obstruction and proper size. Check serial plate for correct size.
PRESENCE OF WATER IN OIL	Oil seal is worn	Check and replace if necessary.
	Air humidity is high	Check and change oil twice as often.
	Packing is worn or bad	Check and replace if necessary.

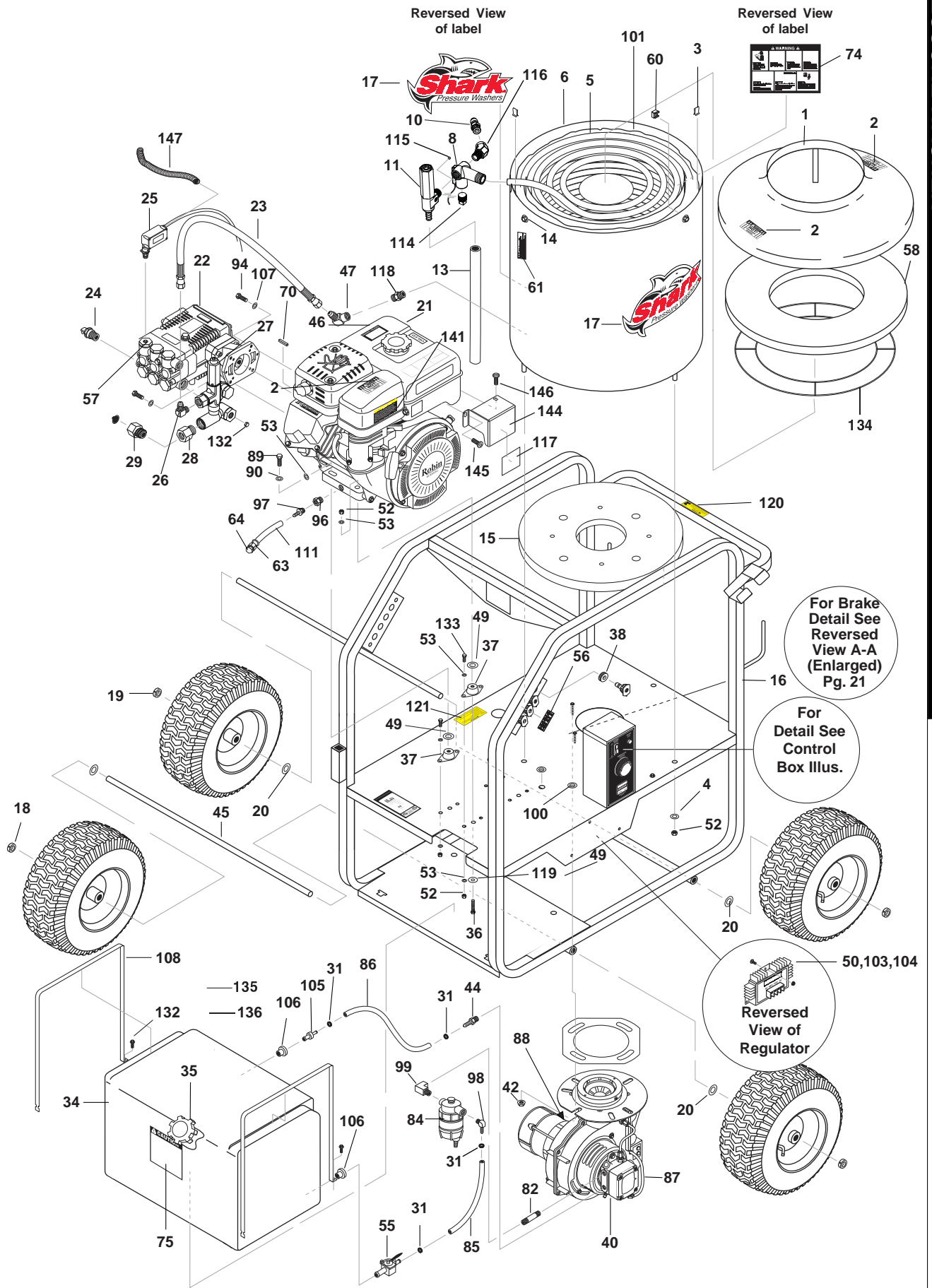
PROBLEM	POSSIBLE CAUSE	SOLUTION
DETERGENT NOT DRAWING	Air is leaking	Tighten all clamps. Check detergent lines for holes.
	Injector head may be blocked, dirty or damaged	Clean and make sure ball and spring behind detergent hose barb or injector body are working properly.
	Filter screen on detergent suction hose is plugged	Clean or replace.
	Detergent has high viscosity	Dilute detergent to specifications.
	Not using soap nozzle	Insert soap nozzle into wand coupler.
	Detergent level is low	Add detergent if needed.
PUMP RUNNING NORMALLY BUT PRESSURE LOW ON INSTALLATION	Pump is sucking air	Check water supply and possibility of air seepage.
	Valves are sticking	Check and clean or replace if necessary.
	Unloader valve seat is faulty	Check and replace if necessary.
	Nozzle sized incorrectly	Check and replace if necessary (see serial plate for proper size).
	Packing piston is worn	Check and replace if necessary.
FLUCTUATING PRESSURE	Valves are worn	Check and replace if necessary.
	Valve has a blockage	Check and replace if necessary.
	Pump is sucking air	Check water supply and air seepage at joint in suction line.
	Packing piston is worn	Check and replace if necessary.
PUMP NOISY	Air is in suction line	Check water supply and connections on suction line.
	Inlet or discharge valve springs are weak or broken	Check and replace if necessary.
	Excessive matter is in valves	Check and replace if necessary.
	Bearings are worn	Check and replace if necessary.
WATER DRIPPING FROM UNDER PUMP	Piston packing is worn	Check and replace if necessary.
	O-Ring plunger retainer is worn	Check and replace if necessary.
	Piston is cracked	Check and replace if necessary.
	Pump protector is worn	Lower water supply pressure. Do not run the spray gun closed longer than 5 minutes.
OIL DRIPPING	Oil seal is worn	Check and replace if necessary.
EXCESSIVE VIBRATION IN DELIVERY LINE	Valves are functioning irregularly	Check and replace if necessary.
BURNER MOTOR WILL NOT RUN	Fuel pump has seized	Replace fuel pump.
	Burner fan loose or misaligned	Position correctly and tighten set screw.
	Control switch is defective	Replace switch.
	There is a loose wire	Check and replace or tighten wiring.
	Burner motor is defective	Replace motor.

MAINTENANCE SCHEDULE		
Engine Oil	Inspect	Daily
	Change	Every 25 hours
	Filter	Every 50 hours
Air Cleaner	Inspect	Every 50 hours or monthly
	Clean	Every 3 months
Battery Level		Check monthly
Engine Fuel Filter		500 hours or 6 months
Spark Plug Maintenance		500 hours or 6 months
Clean Fuel Tank(s)		Annually
Replace Fuel Lines		Annually
Pump Oil	Inspect	Oil level daily
	Change	After first 50 hours, then every 500 hours or annually
Clean Burner Filter		Monthly (More often if fuel quality is poor)
Remove Burner Soot		Annually
Burner Adjustment/Cleaning		Annually
Replace Burner Nozzle		Annually
Descale Coil		Annually (more often if required)
Replace High Pressure Hose		Every 6 months
Replace Quick Couplers		Annually
Clean Water Screen/Filter		Weekly

Date Oil Changed Month/Day/Year	Estimated Operating Hours Since Last Oil Change

Date Oil Changed Month/Day/Year	Estimated Operating Hours Since Last Oil Change

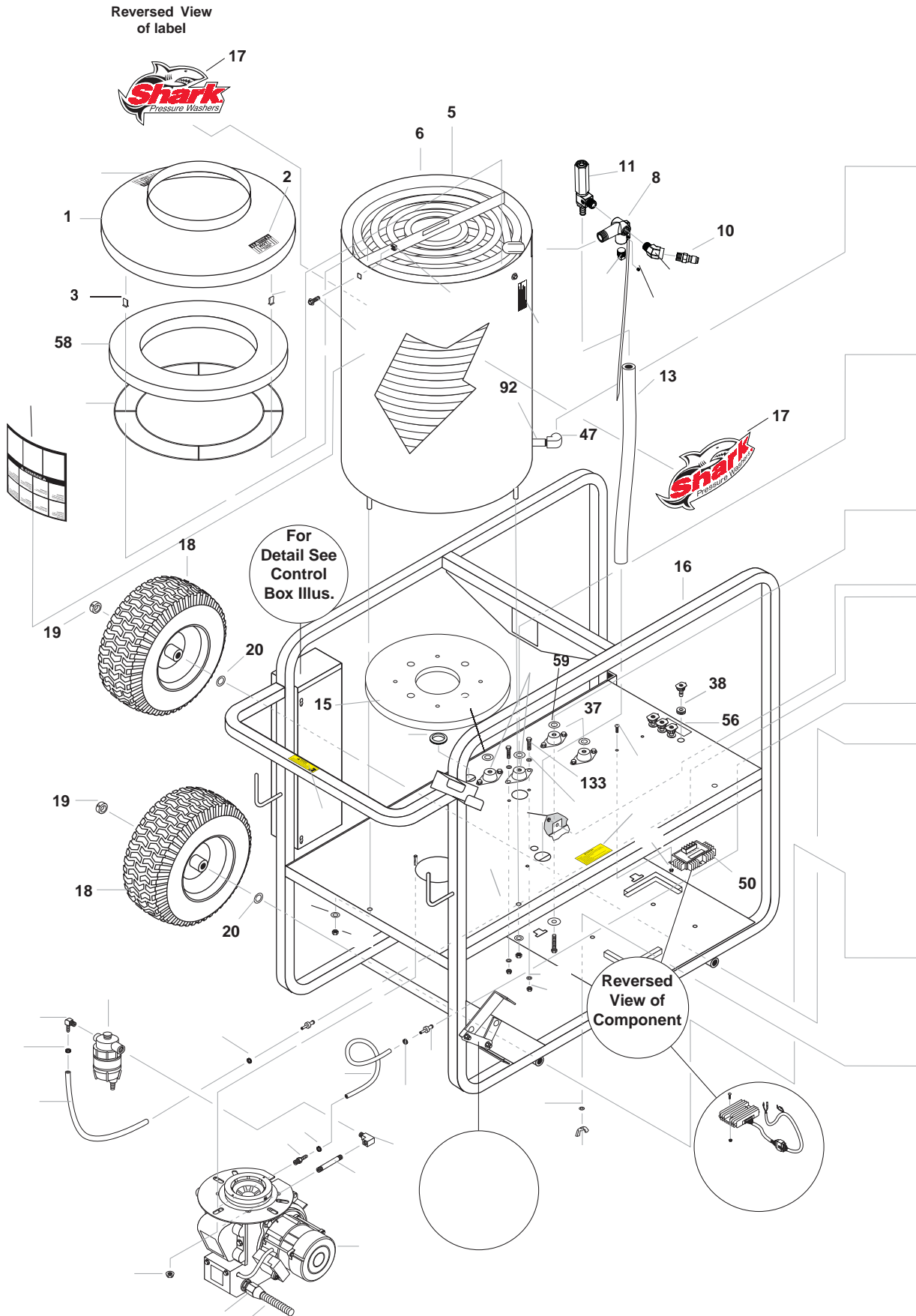
EXPLODED VIEW - 059.0 MODELS

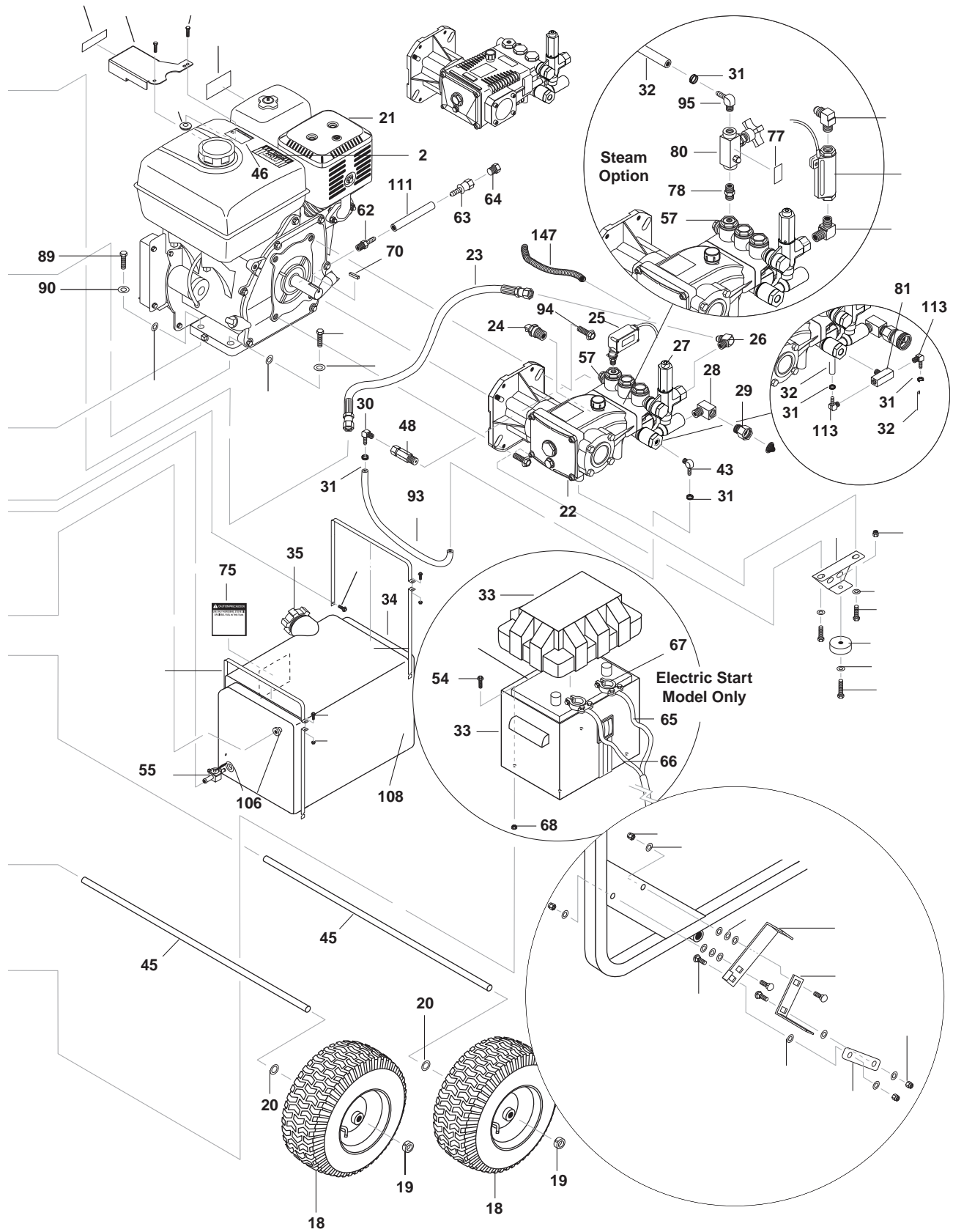


For Brake Detail See Reversed View A-A (Enlarged) Pg. 21

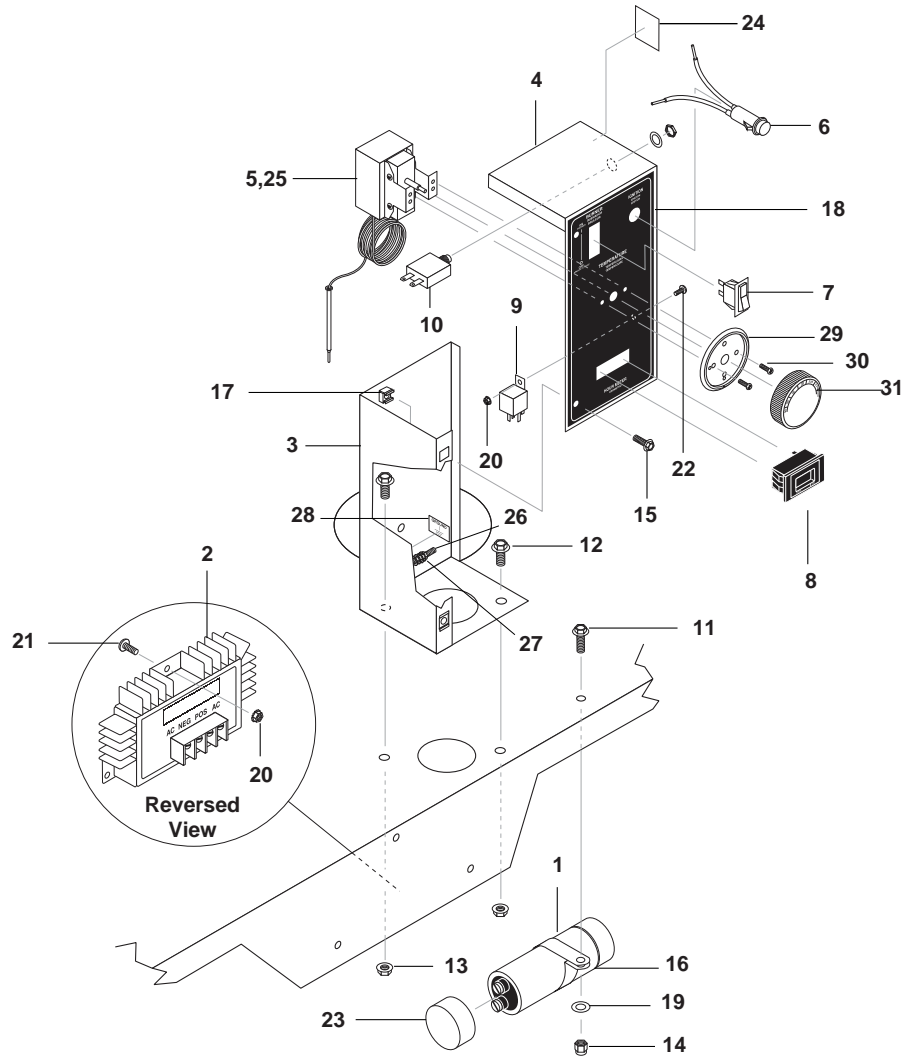
For Detail See Control Box Illus.

Reversed View of Regulator





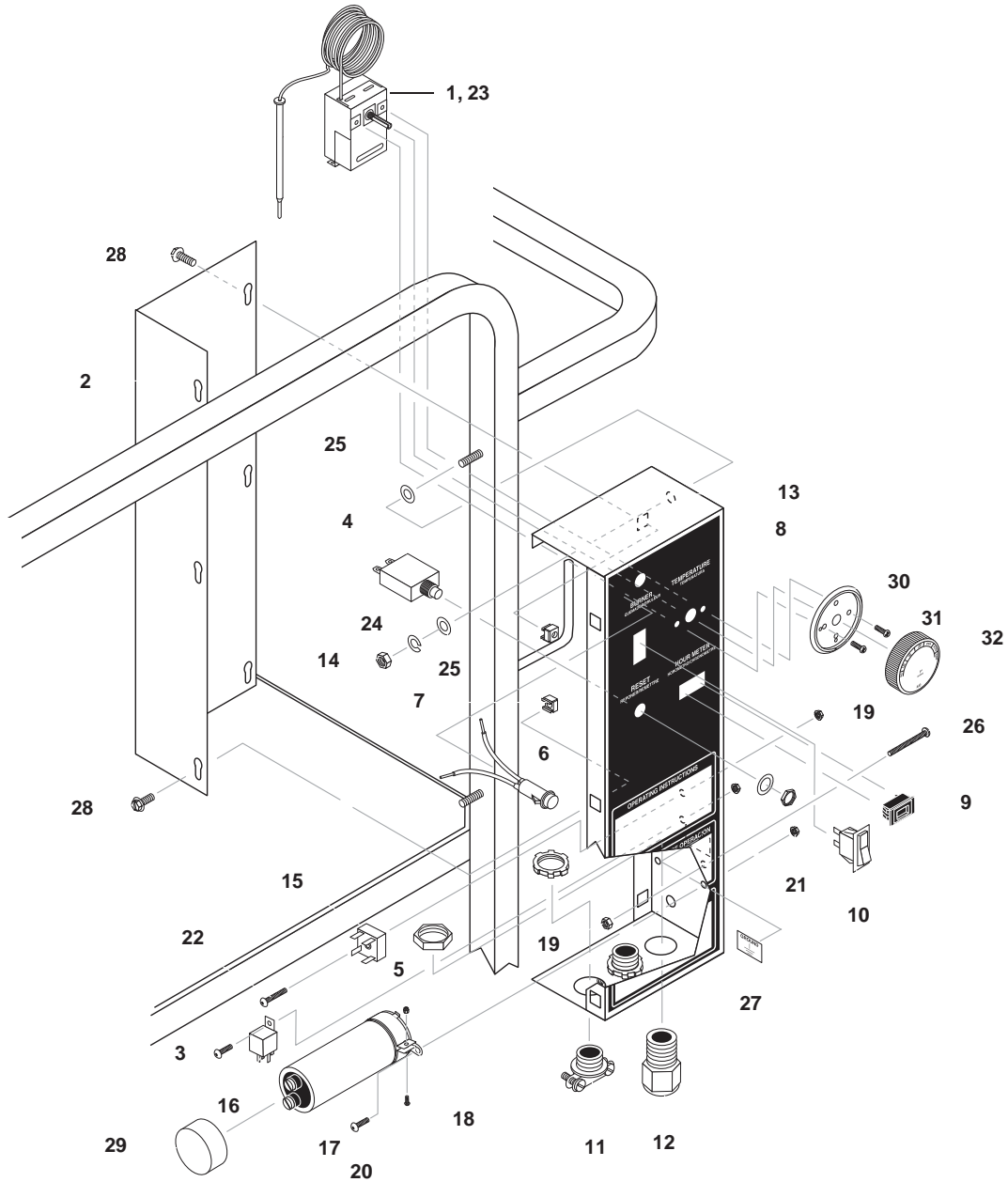
CONTROL PANEL EXPLODED VIEW - 059.0 MODELS



059.0 CONTROL PANEL PARTS LIST

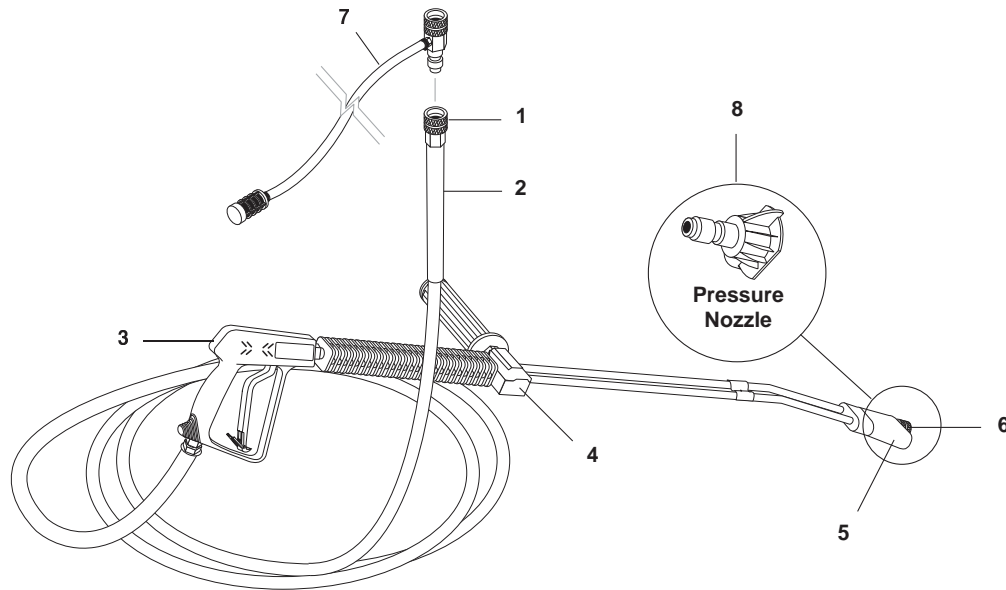
ITEM	PART NO.	DESCRIPTION	QTY
1	9.802-528.0	Capacitor	1
2	9.802-531.0	Regulator, Voltage, 15 Volt	1
3	9.803-036.0	Box, Electrical	1
4	9.803-121.0	Assembly, Cover, Electrical Box	1
5	8.750-094.0	Thermostat, Adjustable, 302°F	1
6	9.802-456.0	Light, Indicator, Green 12 Volt	1
7	9.802-453.0	Switch, Curvette RA901VB-B-1-V, Carling	1
8	9.802-283.0	Hour Meter, 24-240 Vac 50/60 Hz	1
9	9.802-470.0	Relay, P & B, VF4-41F11, 12VDC, 40AMP	1
10	9.802-485.0	Breaker, 1658-G41-02-P10-25A	1
11	9.802-752.0	Screw, 1/4" x 1-1/4" Hex, Whiz Loc	1
12	9.802-754.0	Screw, 1/4" x 1/2" HH NC, Whiz Loc	2
13	9.802-775.0	Nut, 1/4" Whiz Loc	2
14	9.802-773.0	Nut, 1/4", ESNA, NC	1
15	9.802-764.0	Screw, 10/32" x 3/4" Hex	2

CONTROL PANEL PARTS LIST-303037, 353037, 353037E, 403537E



CONTROL PANEL PARTS LIST-303037, 353037, 353037E, 403537E

ITEM	PART NO.	DESCRIPTION	QTY
1	8.750-094.0	Thermostat, Adjustable, 302°F	1
2	9.803-035.0	Cover, Electric Box, Black	1
	8.922-532.0	Cover, Electric Box, (068.0, 069.0, 070.0)	1
3	9.802-759.0	Screw, 10/32" x 1/2" BHSOC, Black	1
4	9.802-485.0	Breaker, 1658-G41-02-P10-25A	1
5	9.802-525.0	Locknut, 1/2"	1
6	9.802-456.0	Light, Indicator, Green 12V	1
7	9.802-791.0	Cage, Nut, 10/32" x 16 Gauge	6
8	8.900-921.0	Label, Control Panel	1
	8.753-778.0	Label, Control Panel (068.0, 069.0, 070.0)	1
9	9.802-283.0	Hour Meter, 24-240 Vac 50/60 Hz	1

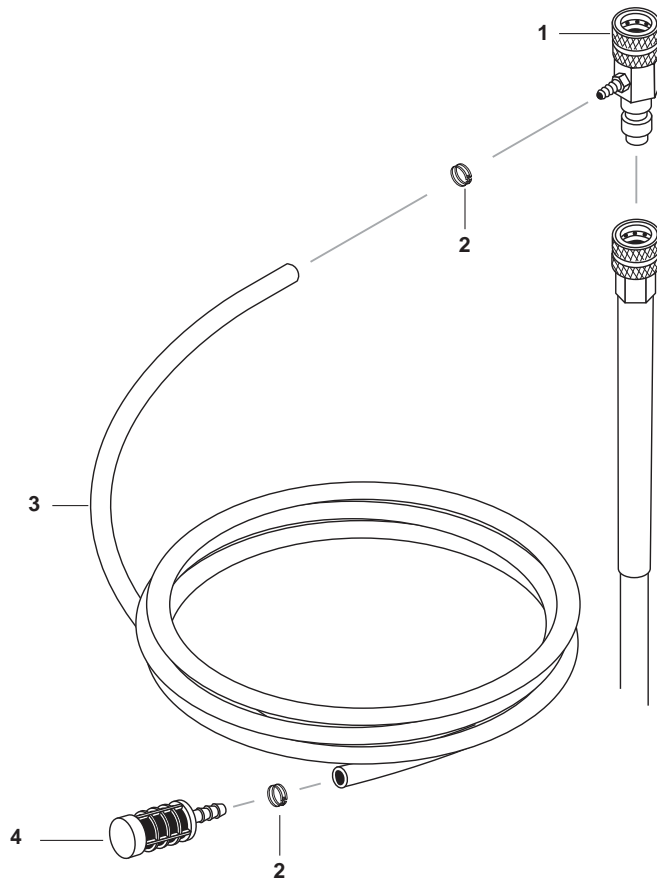


HOSE & SPRAY GUN PARTS LIST

ITEM	PART NO.	DESCRIPTION	QTY
1	9.802-166.0	Coupler, 3/8" Female	1
	9.802-100.0	▲ Quick Coupler O-Ring LG	1
2	8.739-125.0	Hose, 3/8" x 50', 1 Wire Tuff Flex (All Models Except 403537E)	1
	8.739-203.0	Hose, 3/8" x 50', 2 Wire, Tuff Flex (403537E)	1
3	8.710-384.0	Gun, St-1500, 5000 PSI, 10.4 Gpm	1
4	9.802-222.0	Wand, VP Zinc 1/4", w/Coupler, w/Soap Nozzle	1
	9.802-694.0	▲ Repair Kit, VP Wand, SS Seat	1
5	9.802-286.0	Nozzle, 1/8", Soap Only, Brass	1
6	9.802-165.0	Coupler, 1/4" Male	1
	9.802-096.0	▲ Quick Coupler, O-Ring, Small	1
7	9.802-225.0	Detergent Injector Assy. #3 (303037, 353037, 353037E, 403537E)	1
	9.802-224.0	Detergent Injector Assy. #2 (302517)	1
8	9.802-292.0	Nozzle, SAQMEG 1503.5, Yellow (403537E, 302517)	1
	9.802-293.0	Nozzle, SAQMEG 2503.5, Green (403537E, 302517)	1
	9.802-294.0	Nozzle, SAQMEG 4003.5, White (403537E, 302517)	1
	9.802-291.0	Nozzle, SAQMEG 0003.5, Red (403537E, 302517)	1
	9.802-296.0	Nozzle, SAQMEG 1504, Yellow (353037, 353037E)	1
	9.802-297.0	Nozzle, SAQMEG 2504, Green (353037, 353037E)	1
	9.802-298.0	Nozzle, SAQMEG 4004, White (353037, 353037E)	1
	9.802-295.0	Nozzle, SAQMEG 0004, Red (353037, 353037E)	1
	9.802-288.0	Nozzle, SAQMEG 1503, Yellow (303037)	1
	9.802-289.0	Nozzle, SAQMEG 2503, Green (303037)	1
	9.802-290.0	Nozzle, SAQMEG 4003, White (303037)	1
9.802-287.0	Nozzle, SAQMEG 0003, Red (303037)	1	

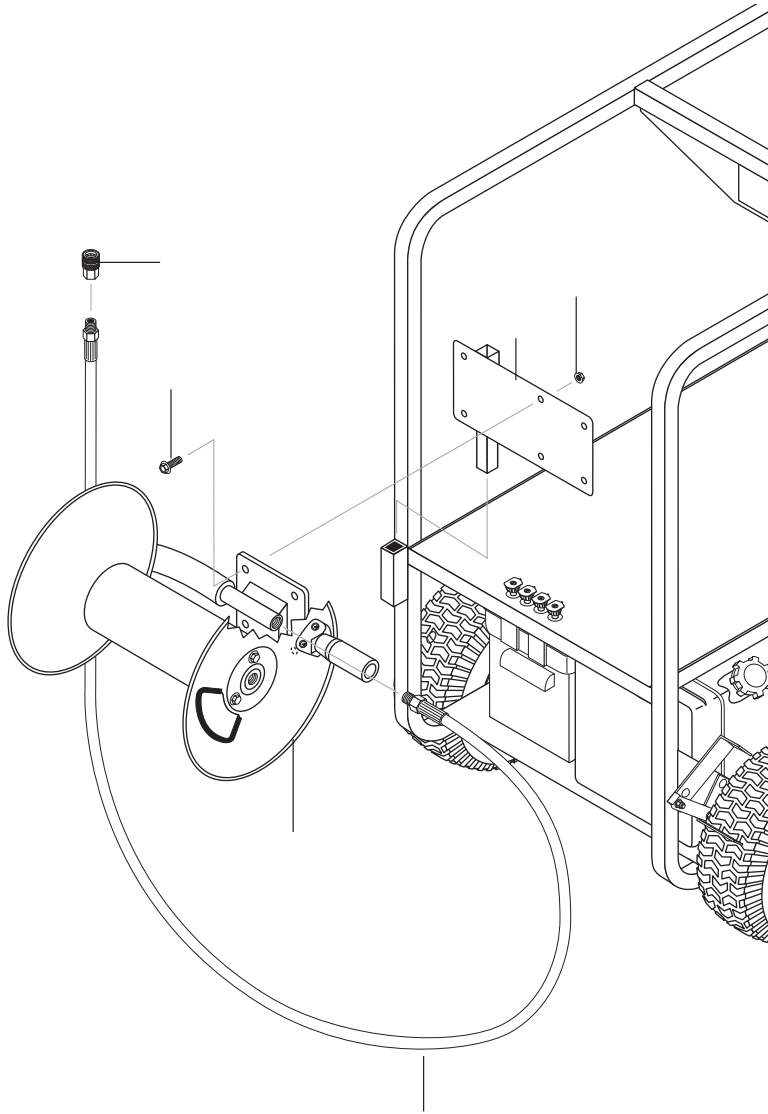
▲ Not Shown

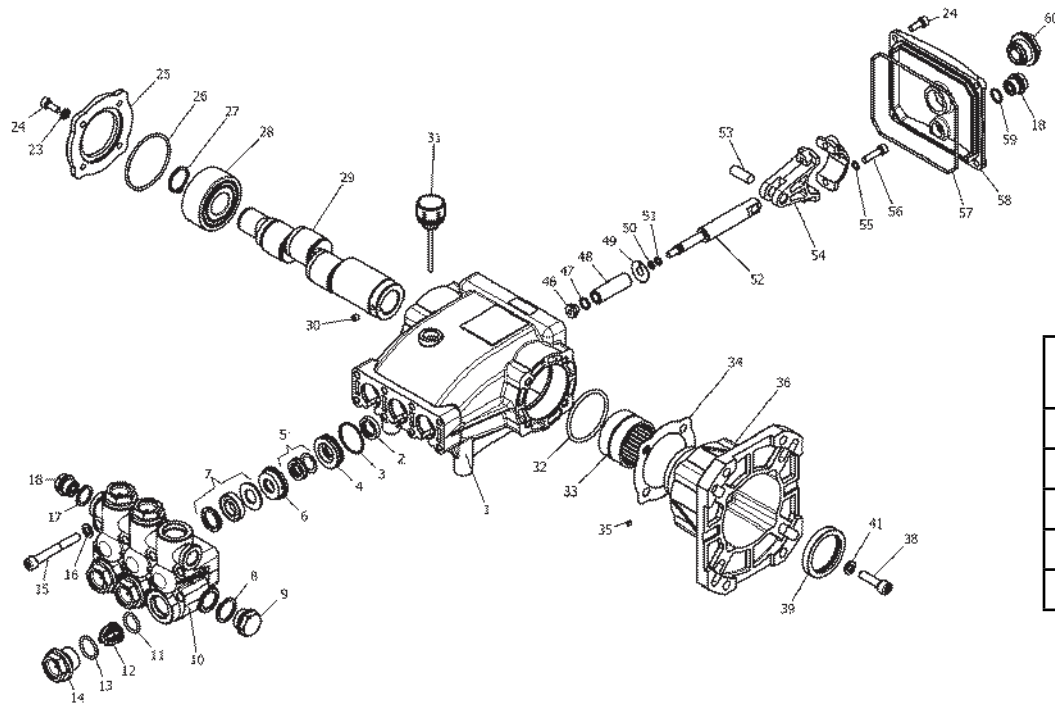
DOWNSTREAM INJECTOR ASSEMBLY



DOWNSTREAM INJECTOR PARTS LIST

ITEM	PART NO.	DESCRIPTION	QTY
1	9.802-216.0	Injector, Detergent, Non-Adjusting #3	1
	9.802-215.0	Injector, Detergent, Non-Adjusting #2	1
2	6.390-126.0	Clamp, Hose, UNI .46 - .54	2
3	9.802-251.0	Tube, 1/4" x 1/2", Clear Vinyl	6 ft.
4	9.802-160.0	Strainer, 1/4", Hose Barb	1



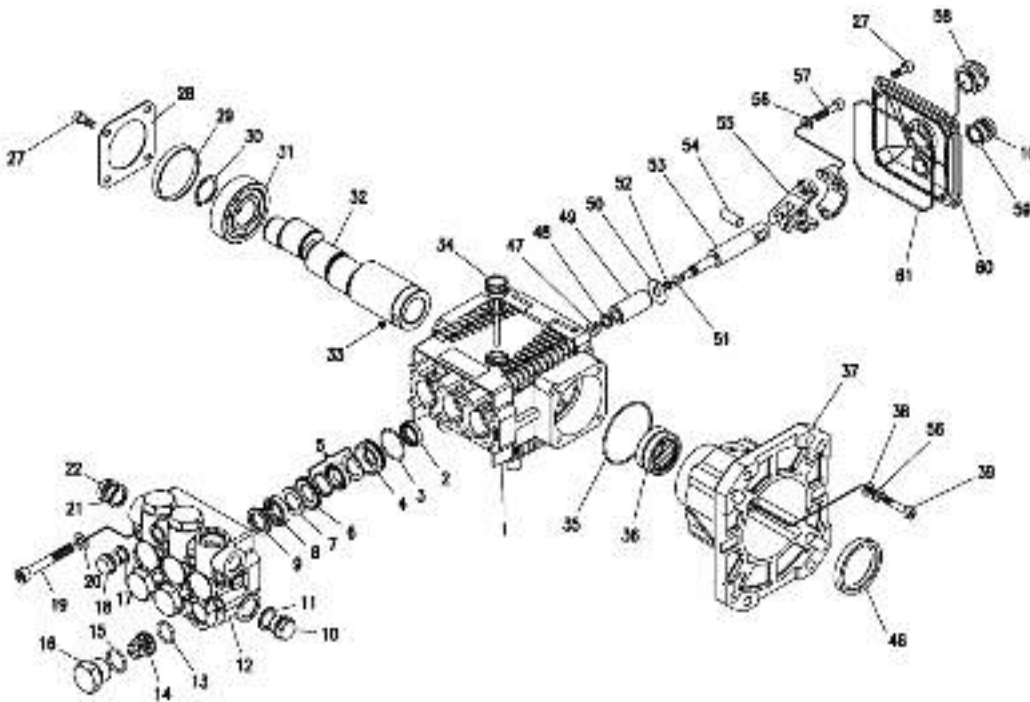


TORQUE SPECS	
Item #	Ft.-lbs
14	75
15	30
24	7.6
38	10

ITEM	PART NO.	DESCRIPTION	QTY	ITEM	PART NO.	DESCRIPTION	QTY
1	8.751-217.0	Crankcase	1	26	8.717-225.0	O-Ring Ø 2.62 x61.6	1
2*	See Kit Below	Plunger Oil Seal	3	27	9.802-914.0	Snap Ring	1
3*	See Kit Below	O-Ring Ø1.78 x 31.47	3	28	9.803-168.0	Double Row Ball Bearing	1
4*	See Kit Below	Pressure Ring	3	29	9.803-150.0	Crankshaft (3040G.3)	1
5*	See Kit Below	U-Seal, 15mm	3		9.803-151.0	Crankshaft (3540G.3)	1
6*	See Kit Below	Intermed. Ring 15mm	3		9.803-152.0	Crankshaft (4040G.3)	1
7*	See Kit Below	U-Seal, 15mm	3		9.803-153.0	Crankshaft (5030G.3)	1
8	9.803-199.0	Copper Washer 1/2"	1	30	9.802-945.0	Set Screw	1
9	9.802-926.0	Brass Plug, 1/2"	1	31	9.802-921.0	Oil Dip Stick	1
10	8.751-218.0	Manifold Housing	1	32	9.804-581.0	O-Ring Ø 3.53 x 55.56	1
11*	9.803-191.0	O-Ring Ø2.62 x 17.13	6	33	9.803-161.0	Needle Roller Bearing	1
12*	See Kit Below	Valve Assembly	6	34	8.751-230.0	Gasket	1
13*	9.803-193.0	O-Ring Ø2.62 x 20.29	6	35	8.717-544.0	Screw, Set	1
14	9.802-928.0	Valve Plug	6	36	9.803-183.0	Engine Flange	1
15	9.802-938.0	Manifold Stud Bolt	8	38	9.803-240.0	Flange Screw	4
16	9.802-884.0	Washer	8	39	9.803-142.0	Crankshaft Seal	1
17	9.803-198.0	Copper Washer 3/8"	1	41	9.803-221.0	Spring Washer	4
18	9.802-925.0	Brass Plug 3/8"	2	46*	See Kit Below	Plunger Nut, M6	3
23	9.803-201.0	Washer, M6 x 16	4	47*	See Kit Below	Washer, Copper, 9.2 x 13.5	3
24	9.802-939.0	Hexagonal Screw	9	48*	See Kit Below	Plunger, 15mm	3
25	9.803-184.0	Closed Bearing Housing	1	49*	See Kit Below	Copper Spacer	3

SG.2 PUMP EXPLODED VIEW

8.904-820.0 SG3035G1

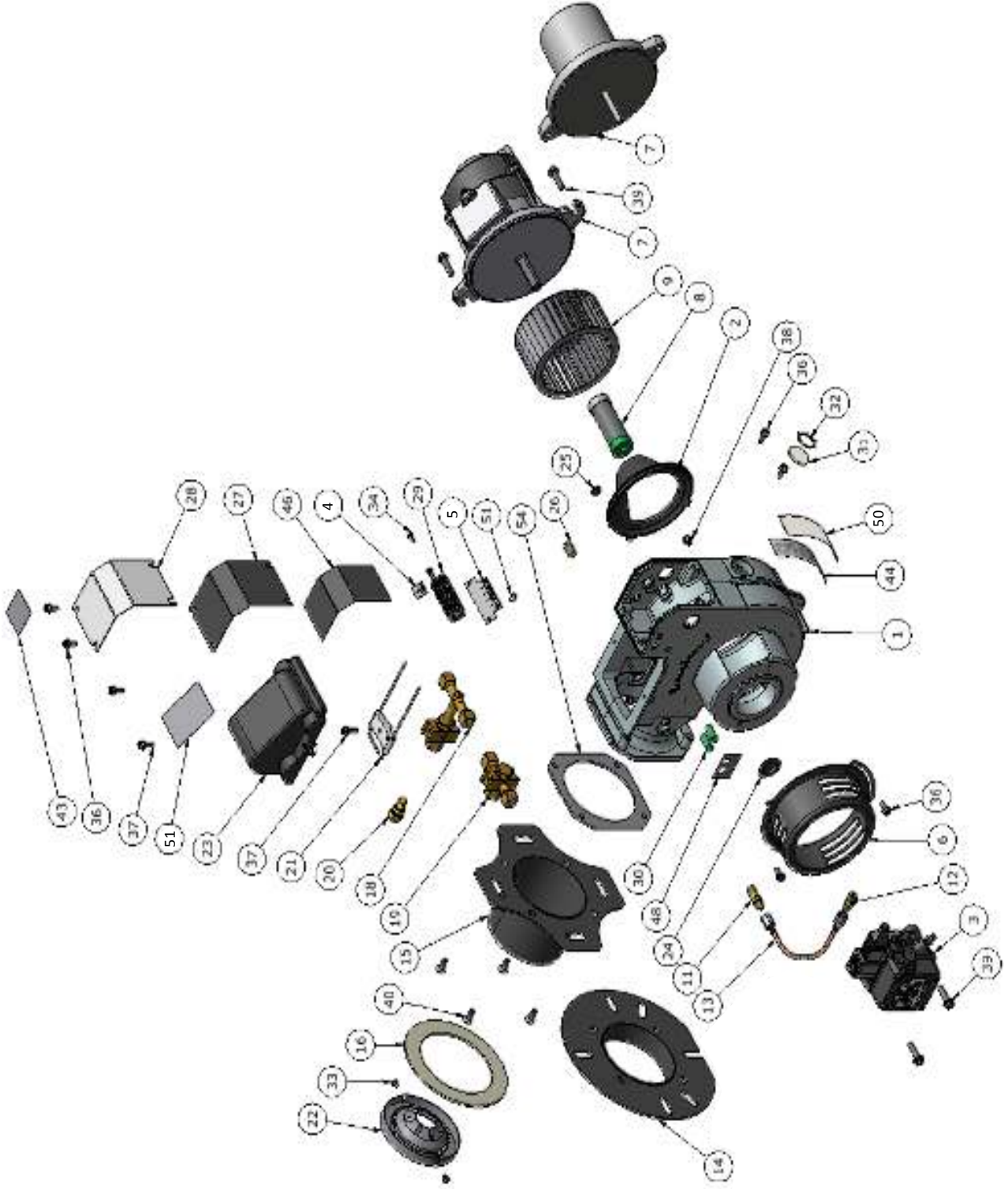


TORQUE SPECS

Item #	Ft.-lbs
16	65
19	18
27	7.6
39	8
47	7
57	13

SG.2 PUMP EXPLODED VIEW PARTS LIST

ITEM	PART NO.	DESCRIPTION	QTY	ITEM	PART NO.	DESCRIPTION	QTY
1	9.803-938.0	Crankcase	1	19	9.803-952.0	Manifold Stud Bolt	8
2*	See Kit Below	Plunger Oil Seal	3	20	9.802-884.0	Washer	8
3*	See Kit Below	O-Ring Ø1.78 x 31.47	3	21	9.803-198.0	Copper Washer 3/8"	1
4*	See Kit Below	Pressure Ring, 15mm	3	22	9.802-925.0	Brass Plug 3/8"	2
5*	See Kit Below	U Seal Assy, 15mm	3	27	9.802-939.0	Hexagonal Screw	9
6*	See Kit Below	Intermediate Ring 15mm	3	28	9.803-953.0	Bearing Cover	1
7*	See Kit Below	Backup Ring, 15mm	3	29	9.803-954.0	Seal Bearing	1
8*	See Kit Below	U-Seal Assy, 15mm	3	30	9.802-914.0	Snap Ring	1
9*	See Kit Below	Support Ring 15mm	3	31	9.803-955.0	Ball Bearing	1
10	9.802-926.0	Brass Plug, 1/2"	1	32	8.730-825.0	Crankshaft (3035G1)	1
11	9.803-199.0	Copper Washer 1/2"	1		8.730-826.0	Crankshaft (3535G1)	1
12	9.803-946.0	Manifold Housing	1		8.730-827.0	Crankshaft (4030G1)	1
13*	9.803-947.0	O-Ring Ø1.78 x 15.54	6	33	9.802-945.0	Set Screw	1
14*	See Kit Below	Valve Assembly	6	34	9.803-957.0	Oil Dip Stick	1
15*	9.803-948.0	O-Ring Ø2.62 x 18.77	6	35	9.804-581.0	O-Ring 3.53 x 55.56	1
16	9.803-949.0	Valve Plug	6	36	9.803-161.0	Needle Roller Bearing	1
17	9.803-950.0	Washer, Copper	1	37	9.803-183.0	Engine Flange	1
18	9.803-951.0	Brass Plug G1/4	1	38	9.803-210.0	Spring Washer	4



PRESSURE WASHER Specifications



www.shark-pw.com

Form # 9.801-192.0 • Revised 04/14A • Printed in U.S.A. or Mexico