

# TX Series "63"

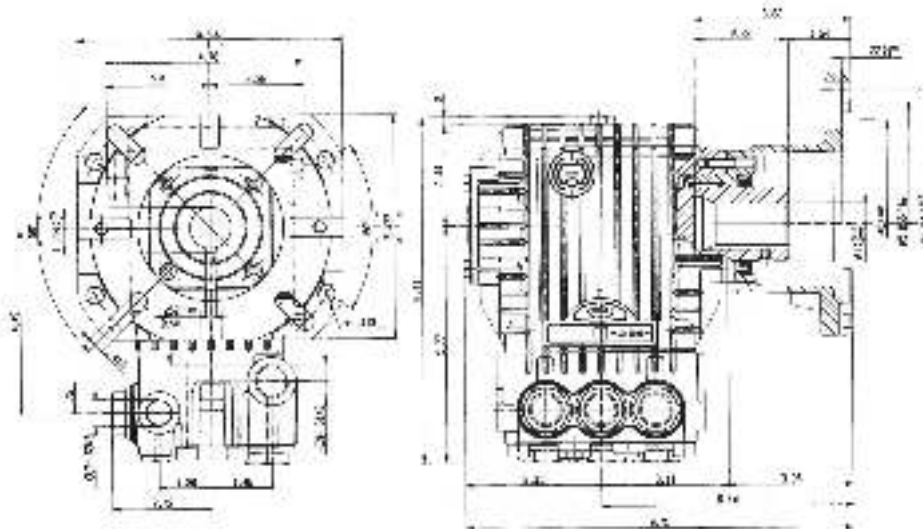
*Triplex Plunger Pump, 1" Hollow Shaft*

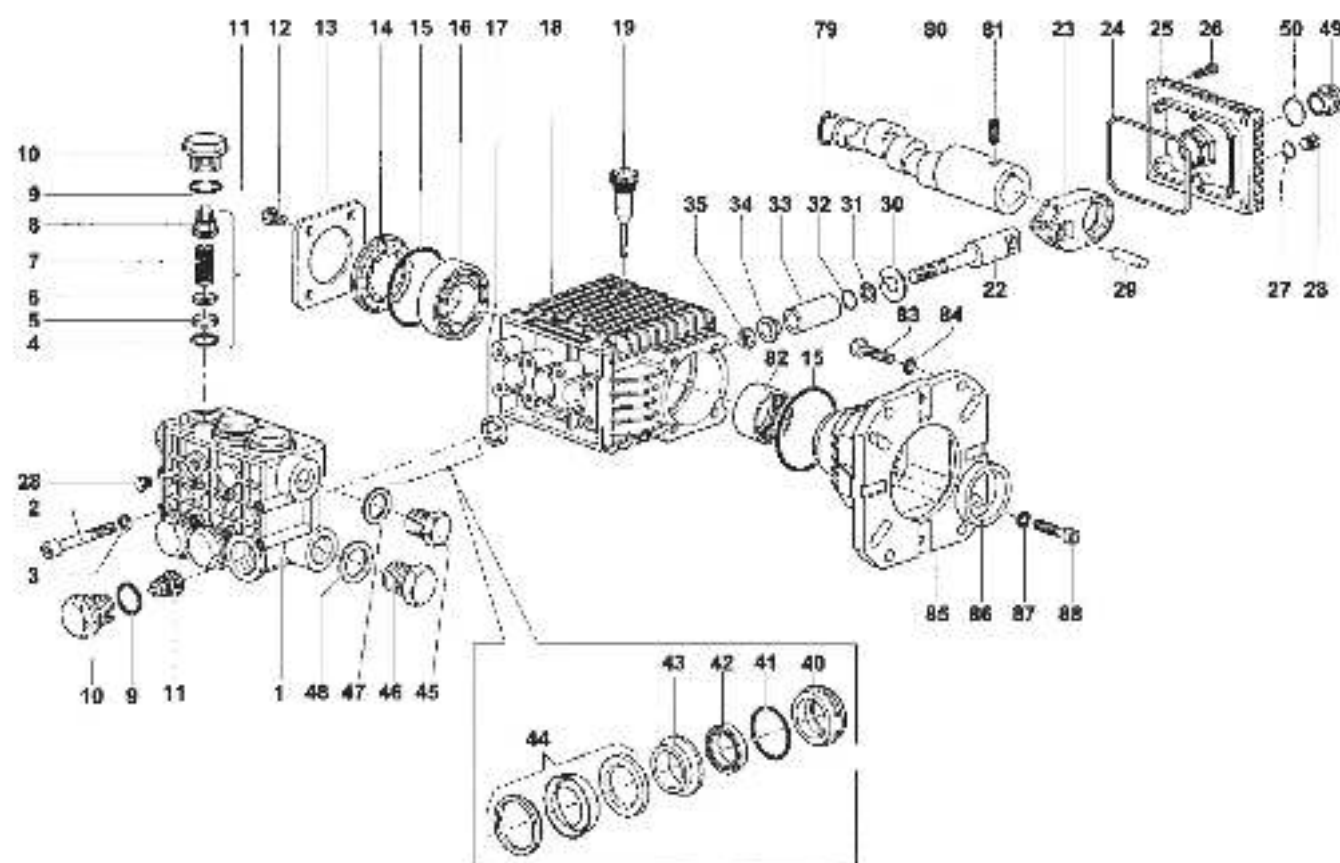
**FEATURES**

- Flanged for direct couple to gasoline engines (SAE J609)
- Set screw for key way
- Oversized bearings
- Longer life low and high pressure seals
- Forged brass manifold with exclusive lifetime warranty

**SPECIFICATIONS**

Pump Model	TX1506G8	TX1508G8	TX1510G8
Maximum Volume	2.6 GPM	3.0 GPM	4.0 GPM
Max. Discharge Pressure	3000 PSI		
Horsepower	8.0 GBHP	9.2 GBHP	12.3 GBHP
Maximum Pump Speed	3400 RPM		
Maximum Inlet Pressure	125 PSI		
Maximum Inlet Vacuum	Floded		
Bore	.591 in. / 15 mm		
Stroke	.258 in. / 6.5 mm	.315 in. / 8 mm	.394 in. / 10 mm
Crankcase Oil Capacity	14.0 oz.		
Max Fluid Temperature	165° F		
Inlet Port Thread	1/2-14 BSPP-F		
Discharge Port Thread	3/8-19 BSPP-F		
Shaft Diameter	1.0 in. / 25.4 mm		
Weight	18 lbs.		
Dimensions	8.4 x 8.4 x 6.5 in.		

**DIMENSIONAL DRAWING**



### PARTS LIST

ITEM	PART NO.	DESCRIPTION	KIT NO.	QTY.	ITEM	PART NO.	DESCRIPTION	KIT NO.	QTY.	ITEM	PART NO.	DESCRIPTION	KIT NO.	QTY.
1.	93120031	Veriflo® 10mm		1	22.	90600088	Flanger Guide	0		45.	90210000	Flug 3/4" G	1	1
2.	90615800	Screw M6 x 6.5		8	23.	90600022	Connecting Rod	3	3	46.	98217600	Flug 1/2" G	1	1
3.	90701400	Lockwasher M8 x 8		8	24.	90600000	O-ring Cover	1	1	47.	90700000	Washer M17.5	1	1
4.	90364100	O-ring	123	6	25.	90100022	Rear Crankcase Cover	1	1	48.	90701400	Washer M21.0	1	1
5.	98200968	Valve Seat	123	6	26.	90165700	Screw M6 x 14	4	4	49.	93210051	Oil Level Indicator	1	1
6.	90600178	Valve Plate	123	6	27.	701010	O-ring	1	1	50.	90101000	O-ring	1	1
7.	94767600	Spring	123	6	28.	98204000	Flug 1/4" G	2	2	79.	90068000	Rolling Ring	1	1
8.	98209551	Valve Cap	123	6	29.	90705800	Connecting Rod Pin	3	3	80.	90707785	Crankshaft 6.5	1	1
9.	90304700	O-ring	124	6	30.	90707600	Thigh Washer	0			90060005	Crankshaft 8	1	1
10.	98222600	Valve Cap	124	6	31.	900024	Anti-Extractor Flng	3	3		90028465	Crankshaft 10	1	1
11.	90711501	Valve Assembly	123	6	32.	701008	O-ring	3	3	81.	90175000	Screw M6 x 6	1	1
12.	99180700	Screw M6 x 10		8	33.	90040009	Ceramic Flange, 15mm	3	3	82.	91800800	Holler bearing	1	1
13.	90150074	Sealing Cover	1	1	34.	44211870	Sealing	3	3	83.	90054600	Screw 5/8 x 1"	4	4
14.	44211001	Oil Level Indicator	1	1	35.	92221600	Nut M6	0		84.	90710400	Washer	4	4
15.	90405700	O-ring	2	2	40.	90600070	Seal Repr: 15mm	162,189	3	85.	10051822	Flange 1" gas engine	1	1
16.	91609800	Ball Bearing	1	1	41.	90600000	O-ring	166,187	3	86.	90165000	Oil Seal	1	1
17.	90108800	Oil Seal	159	3	42.	90600800	Seal LP, 10mm	100,189	3	87.	90098000	Washer	4	4
18.	93010030	O-rings	1	1	43.	93216070	Int. Flng, 15mm	164,189	3	88.	90101200	Screw M6 x 90	4	4
19.	90210000	Oil Dip Stick	1	1	44.	90601200	Packing Assy 15mm	160,189	3					

### REPAIR KITS

KIT NO.	123	124	159	180	182	184	188
ITEM NOs INCLUDED IN KIT	4, 5, 6, 7, 9 (11)	8, 10	17	42, 41	40	43	40, 41, 42, 48, 44
NUMBER OF ASSEMBLIES IN KIT	6	3	3	3	3	3	-
NUMBER OF CYLINDERS KIT WILL SERVICE	3	3	3	3	3	3	-

### TORQUE SPECS\*

Pos.	FL-lbs.	N-M
2	14.7	20
10	72.7	100
12	7.9	10
26	7.2	10
28	14.7	20
35	11.0	15
45	25.4	40
46	28.1	50
83	14.7	20
88	7.0	10

\*Decrease torque by 30% if threads are lubricated.