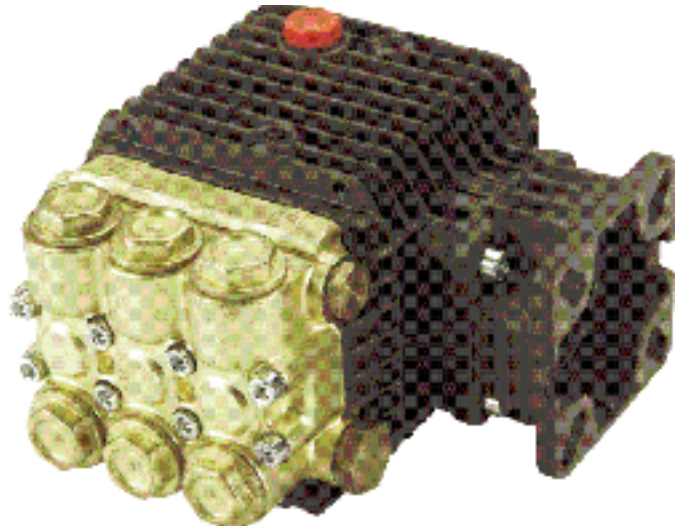


Triples Plunger Pumps

FEATURES

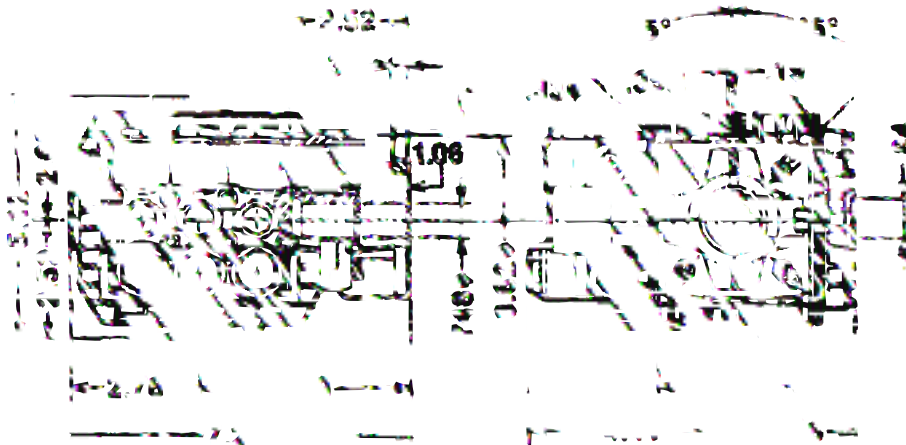
- Forged brass manifold with exclusive lifetime warranty
- Die-cast anodized aluminum, oil-bath crankcase
- Solid ceramic plungers with continuously lubricated packings
- The original Interpump unitized, stainless steel, K01 inlet and outlet valves
- Ideal for all general cleaning applications
- Comes standard with SAE J609 gasoline engine mounting flange
- Also available in "L" left-handed versions



SPECIFICATIONS

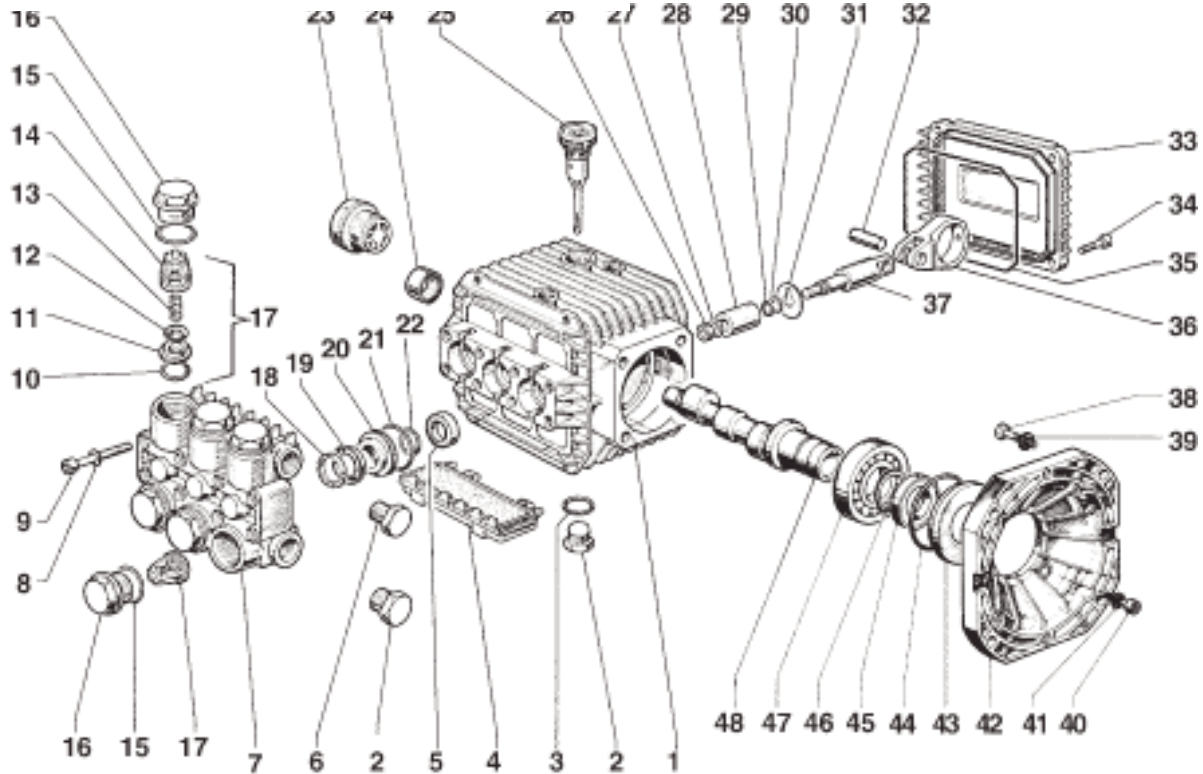
Pump Model	TT9061GBF	TT9071GBF	TT1540GBF	TT2028GBF	TT2035GBF
Maximum Volume	2.11 GPM	2.8 GPM	4.0 GPM	2.8 GPM	3.5 GPM
Maximum Discharge Pressure	1500 PSI			2000 PSI	
Maximum Pump Speed	3400 RPM				
Maximum Inlet Pressure	125 PSI				
Maximum Inlet Vacuum	3 ft. Water (2.6 in. Hg)				
Bore	.591 in. / 15 mm				
Stroke	.197 in./5mm	.260 in./6.6 mm	.370 in./9.4 mm	.260 in./6.6 mm	.315 in./8 mm
Crankcase Oil Capacity	11.2 oz.				
Maximum Fluid Temperature	165° F				
Inlet Port Thread	3/8"-19 BSPP-F				
Discharge Port Thread	1/4"-19 BSPP-F				
Shaft Diameter	3/4 in. / 19 mm				
Weight	11.4 lbs.				
Dimensions	7.2" x 7.2" x 5.5"				

DIMENSIONAL DRAWING



TT Series 51, GBF

GENERAL PUMP *A member of the Interpump Group*



PARTS LIST

ITEM	PART NO.	DESCRIPTION	KIT NO.	QTY.	ITEM	PART NO.	DESCRIPTION	KIT NO.	QTY.	ITEM	PART NO.	DESCRIPTION	KIT NO.	QTY.
1.	51010622	Crankcase		1	17.	36703201	Valve Assembly	1	6	35.	90391700	O-ring		1
2.	98210000	Plug, 3/8-BSP		2	18.	51100051	Head Ring	96, 97	3	36.	51030022	Connecting Rod		3
3.	90383300	O-ring, .549 x .103		1	19.	90262000	Packing	96, 97	3	37.	51050056	Piston Guide		3
4.	51209102	Protector		1	20.	51080070	Packing Retainer	86, 96	3	38.	99273000	Screw, 5/16		4
5.	90156500	Oil Seal	83	3	21.	90360400	O-ring, .989 x .070	86, 96, 97	3	39.	96701400	Washer, M8.4, Schnorr		4
6.	98204100	Plug		1	22.	90383500	O-ring, .594 x .103	86, 96, 97	3	40.	99186700	Screw, M8 x 18		4
7.	51120041	Manifold, Brass		1	23.	97596800	Sight Gauge		1	41.	96693800	Washer, 6.4, Schnorr		4
8.	51120022	Manifold, Aluminum		1	24.	91801500	Needle Bearing		1	42.	10034622	Flange		1
9.	96693800	Washer, M6.4, Schnorr		12	25.	98210300	Oil Dip Stick		1	43.	50211551	Spacer		1
10.	99194300	Screw, M6 x 40		12	26.	92221600	Nut, M8		3	44.	90409700	O-ring, 2.187 x .139		1
11.	90384100	O-ring, .674 x .103		1	27.	96700800	Washer, M8		3	45.	90164400	Oil Seal		1
12.	36200366	Valve Seat		1	28.	51040009	Plunger, 15 mm		3	46.	90066700	Snap Ring		1
13.	36200176	Valve Plate		1	29.	90357200	O-ring, .208 x .070		3	47.	20283521	Bearing		1
14.	94737600	Spring		1	30.	90502200	Back-up Ring		3	48.	51021035	Crankshaft (TT9061)		1
15.	36200251	Valve Cage		1	31.	96707000	Washer, Flinger		3		51021165	Crankshaft (TT9071, TT2028)		1
16.	90384700	O-ring, .797 x .103		84	32.	97371000	Connecting Rod Pin		3		51021965	Crankshaft (TT1540)		1
	98221800	Valve Cap		84	33.	51160022	Crankcase Cover		1		51021835	Crankshaft (TT2035)		1
					34.	99186700	Screw		4					

REPAIR KITS

KIT NO.	1	83	84	86	96	97
ITEM NO's INCLUDED IN KIT	10, 11, 12, 6, 7, 8 (17)	5	15, 16	20, 21, 22	18, 19, 20, 21, 22	18, 19, 21, 22
NUMBER OF ASSEMBLIES IN KIT	6	3	6	3	1	3
NUMBER OF CYLINDERS KIT WILL SERVICE	3	3	3	3	1	3

TORQUE SPECS*

Position	Ft. Lbs.
2	29.4
6	14.7
9	8.8
16	33.1
23	13.2
26	11.0
34	7.3
38	22.1
40	7.3
49	14.7
52	7.3

* Decrease torque by 20% if threads are lubricated

