

# KE Series

## FEATURES

- A "New Generation" Pump
- Triplex Plunger Pump, available in 5 flows
- Patent-pending, symmetrical power end design featuring top and bottom mounting holes allowing for easy left to right shaft conversion
- Low-high pressure packing design with integrated cooling system
- High volumetric efficiency suction/delivery valves featuring new spherical design of sealing areas
- Splash lubrication
- SAE-B hydraulic drive bell housing and flexible couplers available

## MATERIALS

- High resistance light alloy die cast aluminum crankcase
- 420 Stainless steel manifold, nickel treated
- Taper roller bearings
- Special antifriction, forged, light alloy connecting rods
- Forged alloy steel crankshaft, hardened, tempered and nitrided
- Cast iron piston guide, nickel treated
- Solid ceramic plungers
- Stainless steel valves
- Pumps are also available with 316 SS packing components. These models use prefix "KEN"

**Product Group: V**



## COMMON SPECIFICATIONS

- Maximum Inlet Pressure: ..... 45 PSI
- Maximum Fluid Temperature: ..... \*140° F
- Inlet Port Thread: ..... 1" NPT-F
- Discharge Port Thread: ..... 1/2" NPT-F
- Shaft Diameter: ..... 1.181"/30 mm
- Stroke: ..... 0.9055"/23 mm
- Pump Dimensions: ..... 15.2" x 13.4" x 7.7"
- Crankcase Oil Capacity: ..... 67.63 oz. (2 liters)  
..... (use GP Series 220 Oil)
- Shipping Weight: ..... 88 lbs./40 kg

**\*Please consult technical guide or GP Sales Representative for Temperature/Inlet Pressure Information.**

**Note: All models come standard with crankshaft on right side (when facing manifold).**

MODEL	GPM/LPM	PSI/BAR	RPM	BORE	HP
KE20A	8.0 GPM/30 LPM	4350 PSI/300 BAR	1450 RPM	.787 in./20 mm	25.0
KE22A	10.0 GPM/37 LPM	3650 PSI/250 BAR	1450 RPM	.866 in./22 mm	25.0
KE24A	11.9 GPM/45 LPM	3050 PSI/210 BAR	1450 RPM	.944 in./24 mm	25.0
KE28HA	16.1 GPM/61 LPM	2170 PSI/150 BAR	1450 RPM	1.102 in./28 mm	25.0
KE30HA	18.5 GPM/70 LPM	1880 PSI/130 BAR	1450 RPM	1.181 in./30 mm	25.0
KE36HA	26.4 GPM/100 LPM	1450 PSI/100 BAR	1450 RPM	1.317 in./36 mm	25.0

Volumes are theoretical at 100% volumetric efficiency.

**Above pumps also available with crankshaft on left side. To order, add an "L" to the end of the model number.**

## PUMP OPTIONS

- "F" version features flushing option
- "G" version suitable for pumping high-temperature glycols (up to 140° F)
- "N" version available with 316 Stainless Steel packing components, maximum water temperature 185°F
- SAE-J 744-B hydraulic drive bell housing and flexible couplers available.
- "B" version features a brass manifold (KE30HA and KE36HA only).



General Pump  
is a member of  
The Interpump Group

Ref 300734 Rev B  
11-12



## ACCESSORIES

### REGULATORS

#### ■ R1

18.5-29.0 GPM  
2900-8700 PSI



#### ■ R1X

18.5-29.0 GPM  
2900-8700 PSI  
316 SS



#### ■ ZKSX1

16.0 GPM  
3600 PSI  
316 SS



#### ■ YRVPP26SS

21.0 GPM  
4500 PSI



### GUNS / LANCES

#### ■ ZP87SSL19/39/19S/39S

15.85 GPM  
8700 PSI



#### ■ YG7221/L31-YG7221/51

21.0 GPM  
7250 PSI



#### ■ YRL56L

8.0 GPM  
5650 PSI



### SAFETY DEVICES

#### ■ SV2

50.0 GPM  
1450-8700PSI



#### ■ SX2

50.0 GPM  
1450-5899 PSI



#### ■ ZKS3

2.6-26.4 GPM  
0-10150 PSI



#### ■ 100984

6.0-10.0 GPM  
4500 PSI



### PULSATION DAMPENERS

#### ■ A4X

16.0 GPM  
3050PSI



#### ■ A7S

43.0 GPM  
4750 PSI



#### ■ 686028

10.0 GPM  
3000 PSI  
Rechargeable



#### ■ 686011

6.0-10.0 GPM  
4500 PSI  
Non-  
Rechargeable



### UNLOADERS

#### ■ RA2

61.0 GPM  
3050 PSI



#### ■ ZK7216SS

15.85 GPM  
7200 PSI



#### ■ ZK5813

13.2 GPM  
5800 PSI



#### ■ YU2140

21.0 GPM  
4060 PSI



### MISCELLANEOUS

#### ■ 320001/ 320003

3000/5000 PSI  
Pressure  
Gauge



#### ■ ZRMAX

1.4-13.9 GPM  
11000/22000 PSI  
Rotating  
Nozzle



#### ■ Y7K

7000 PSI  
Rotating  
Nozzle



#### ■ 639273

55.0 GPM  
50/297  
Mesh/Micron  
Filter



#### ■ 190448

Oil Drain Kit



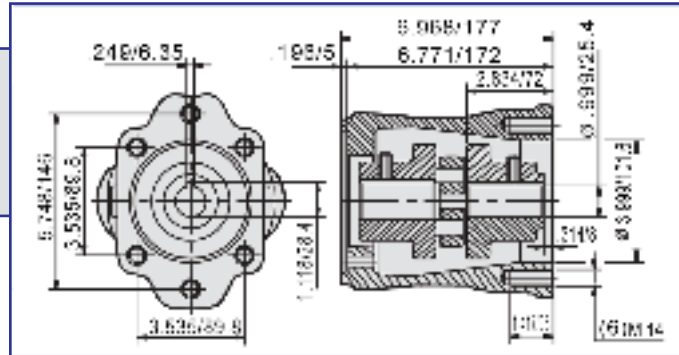
# KE series

## Technical Details



### DRIVE OPTIONS

SAE-J 744-B hydraulic bell housing and flexible coupler.



### OVERALL DIMENSIONS

