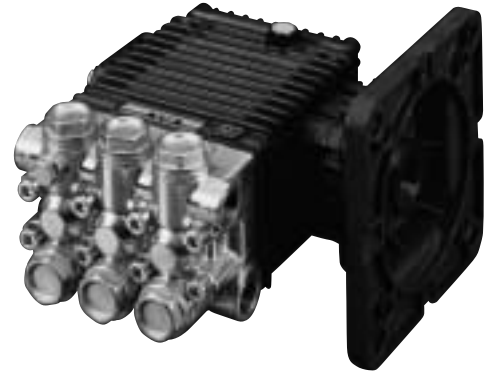


FEATURES

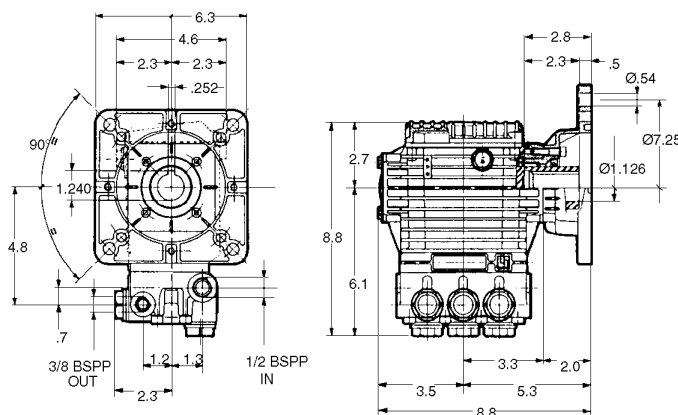
- Solid ceramic plungers
- NEMA 184C mounting flange
- Forged brass manifold with an exclusive lifetime warranty and 4:1 hydrostatic rating
- Die-cast, anodized aluminum, oil-bath crankcase
- Premium roller bearing
- Unitized stainless steel inlet and discharge valves
- Ideal for all general pressure cleaning and washing applications
- Available in “L” left-handed versions

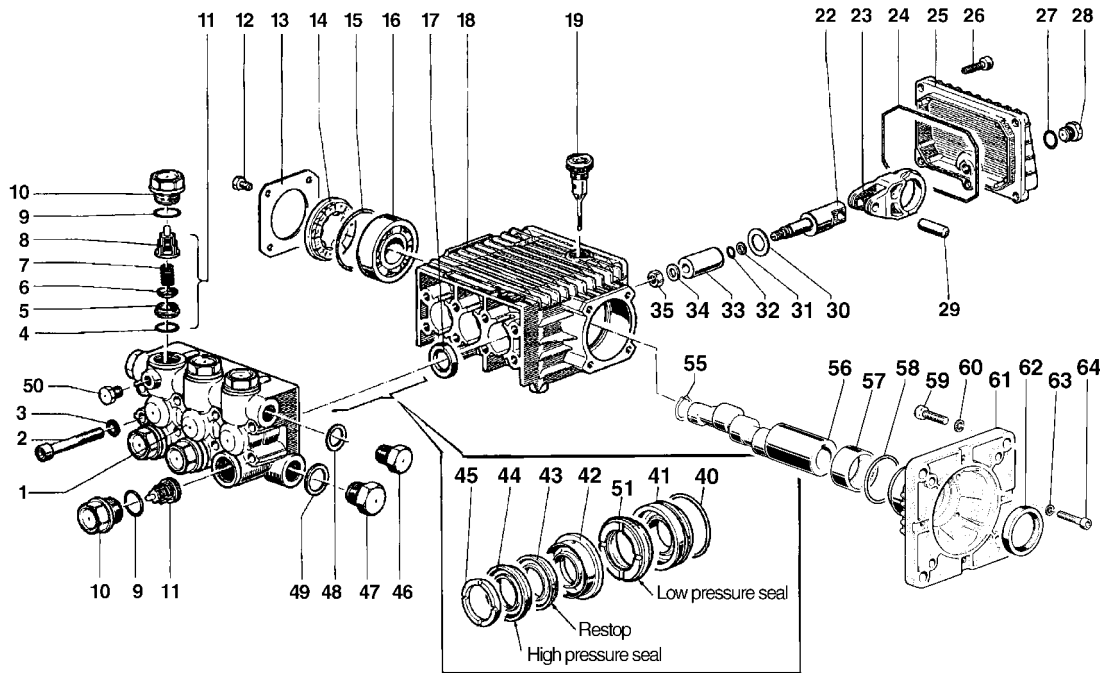


SPECIFICATIONS

Pump Model	EZ2536E	EZ2542E	EZ2545E	EZ2555E
Maximum Volume	3.6 GPM	4.2 GPM	4.6 GPM	5.5 GPM
Maximum Discharge Pressure	2500 PSI			
Maximum Pump Speed	1750 RPM		3400 RPM	
Maximum Inlet Pressure	125 PSI			
Maximum Inlet Vacuum	3 ft. water (2.6 in. Hg)			
Bore	.708 in. / 18 mm		.591 in. / 15 mm	
Stroke (in./mm)	.433 / 11	.512 / 13	.433 / 11	.512 / 13
Crankcase Oil Capacity	14.0 oz.			
Maximum Fluid Temperature	165°F			
Inlet Port Thread	1/2-14 BSPP-F			
Discharge Port Thread	3/8-19 BSPP-F			
Hollow Shaft I.D .	1.125 in. / 28.5 mm			
Weight	18.5 lbs.			
Dimensions	8.8 x 8.8 x 6.3 in.			

DIMENSIONAL DRAWING





PARTS LIST

Item	Part No.	Description	Kit No.	Qty.	Item	Part No.	Description	Kit No.	Qty.	Item	Part No.	Description	Kit No.	Qty.
1	44.1200.41	Manifold (15 mm)		1	29	97.7340.00	Pin		3	45	44.1001.51	Head Ring (EZ2536E, EZ2542E)	129, 131	3
	44.1204.41	Manifold (18 mm)			30	96.7350.00	Washer		3		51.1000.51	Head Ring (EZ2545E, EZ2555E)	90, 130	
2	99.3175.00	Screw		8	31	90.5022.00	Anti-Extrusion Ring		3					
3	96.7014.00	Washer		8	32	90.3572.00	O-Ring		3					
4	90.3841.00	O-Ring	123	6	33	44.0401.09	Plunger, 18mm (EZ2536E, EZ2542E)		3	46	98.2100.00	Cap Screw		1
5	36.2003.66	Valve Seat	123	6		52.0400.09	Plunger, 15mm (EZ2545E, EZ2555E)			47	98.2176.00	Cap Screw		1
6	36.2001.76	Valve	123	6	34	96.7008.00	Washer		3	48	96.7380.00	Washer		1
7	94.7376.00	Spring	123	6	35	92.2216.00	Nut		3	49	96.7514.00	Washer		1
8	36.2025.51	Valve Cage	123	6	40	90.3612.00	O-Ring (EZ2536E, EZ2542E)	126, 131	3	50	98.1966.00	Cap Screw		1
9	90.3847.00	O-Ring	124	6		90.3612.00	O-Ring (EZ2545E, EZ2555E)	125, 130		51	90.2684.00	Seal, Low Press. (EZ2536E, EZ2542E)	127, 131	
10	98.2226.00	Cap Screw	124	6	41	44.0801.70	Packing Retainer (EZ2536E, EZ2542E)	126, 131	3		90.2617.00	Seal, Low Press. (EZ2545E, EZ2555E)	88, 130	3
11	36.7115.01	Valve Assembly	123	6		44.0800.70	Packing Retainer (EZ2545E, EZ2555E)	125, 130		55	90.0635.00	Cir-Clip		1
12	99.1807.00	Screw		4	42	44.2161.70	Intermediate Ring (EZ2536E, EZ2542E)	128, 131	3	56	44.0214.65	Crankshaft (EZ2536E, EZ2545E)		1
13	50.1500.74	Bearing Cover		1		52.2166.70	Intermediate Ring (EZ2545E, EZ2555E)	89, 130			44.0216.65	Crankshaft (EZ2542E, EZ2555E)		
14	44.2118.01	Spacer		1	43	90.2683.00	Packing (EZ2536E, EZ2542E)	127, 131	3	57	91.8568.00	Bearing		1
15	90.4097.00	O-Ring		1		90.2622.00	Packing (EZ2545E, EZ2555E)	88, 130		58	90.4097.00	O-Ring		1
16	91.8328.00	Ball Bearing		1	44	90.2682.00	Packing (EZ2536E, EZ2542E)	127, 131	3	59	99.4600.00	Screw		4
17	90.1614.00	Oil Seal	23	3		90.2620.00	Packing (EZ2545E, EZ2555E)	88, 130		60	96.7195.00	Washer		4
18	44.0100.22	Crankcase		1						61	10.0504.22	Elect. Flange		1
19	98.2103.00	Oil Dip Stick		1						62	90.1690.00	Seal		1
22	44.0500.66	Plunger Guide		3						63	96.6938.00	Washer		4
23	44.0300.22	Connecting Rod		3						64	99.1912.00	Screw		4
24	90.3920.00	O-Ring		1										
25	44.1600.22	Rear Cover		1										
26	99.1837.00	Screw		5										
27	90.3585.00	O-Ring		1										
28	98.2041.00	Cap Screw		1										

REPAIR KITS

KIT NO.	23	88 or 127	89 or 128	90 or 129	123	124	125 or 126	130 or 131
ITEM NO.s INCLUDED IN KIT	17	43, 44, 51	42	45	4, 5, 6, 7, 8, (11)	9, 10	40, 41	40, 41, 42, 43, 44, 45, 51
NUMBER OF ASSEMBLIES IN KIT	3	3/6	3	6	6	6	3	1
NUMBER OF CYLINDERS KIT WILL SERVICE	3	3	3	3	3	3	3	1

TORQUE SPECS*

Position	Ft.-lbs.	N-M
2	14.7	20
10	73.7	100
12	7.3	10
26	7.3	10
28	14.7	20
35	11.0	15
46	29.4	40
47	29.4	40
50	9.6	13
59	14.7	20
64	7.3	10

*Decrease torque by 20% if threads are lubricated.