

DESCRIPTION

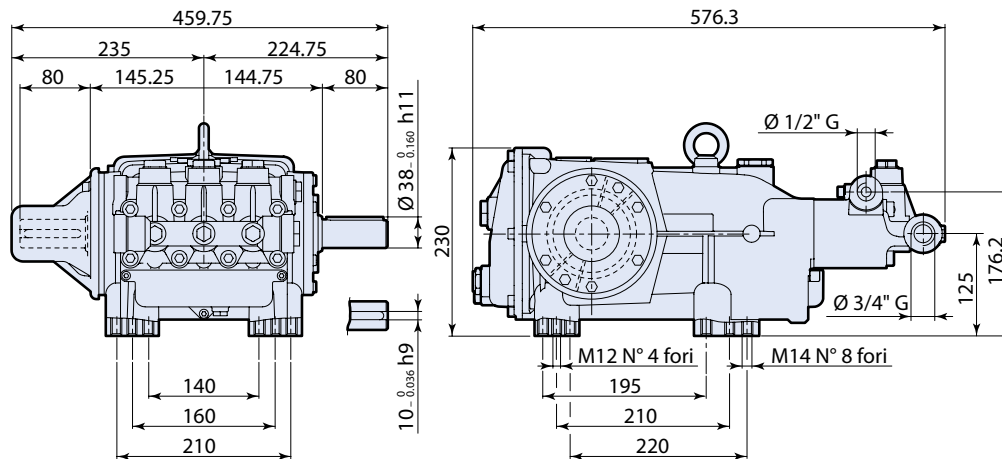
The new RTP Series of pumps from AR North America sets the new standard for delivery of consistently high pressure ratings. Long service life is sustained by assembly of selected high quality components. The RTP Series delivers from 7.9 to 10 GPM at 7250 PSI. Spinning at 1000 RPM, this 24mm sold shafted pump series features a newly designed brass manifold (patent pending). Inlet thread is 1/2" F, and discharge thread is 3/4" F.



SPECIFICATIONS

MAX GPM	7.9	MAX LMP	30
MAX PSI	8700	MAX BAR	600
POWER EBHP	35.2	BORE DIA. MM	20
STROKE MM	34	WEIGHT LBS	177
MAX TEMP	140°	OIL CAPACITY	137oz
INLET THREAD	3/4" F	DISCHARGE THREAD	1/2" F

DIMENSIONS



Measurements are - mm

FEATURING

Manifold: High strength forged brass for long term use.

Bolts: Eight 8mm grade 8.8.

Plungers: Are a special aluminum oxide blend, solid ceramic for long life, strong durability and more resilient.

Valves: Stainless steel with specially designed Ultra Form cages to provide long life and positive seating.

Seals: High pressure packing "V" style (D-1) Buna-N strong

and tightens under load, and low pressure seal "U" cup double lip Buna-N for a good positive seat.

Drive End: Oversized bearings for maximum life and load disbursement.

Crankshaft: Precision die-cast, large cross head for strength, large cooling fins and anodized (for maximum heat dissipation).