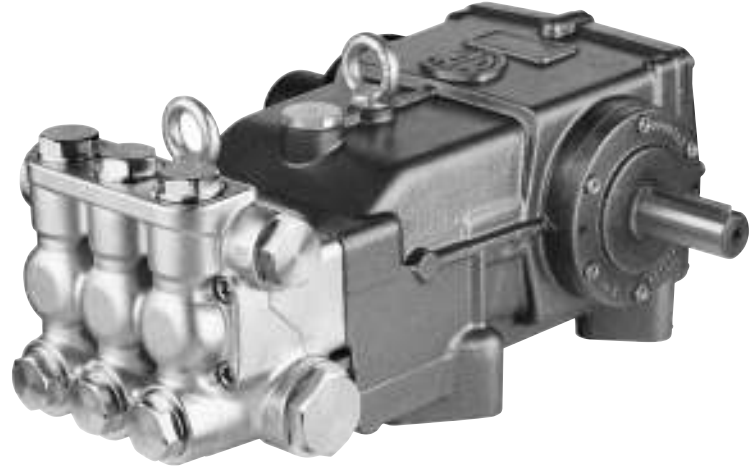


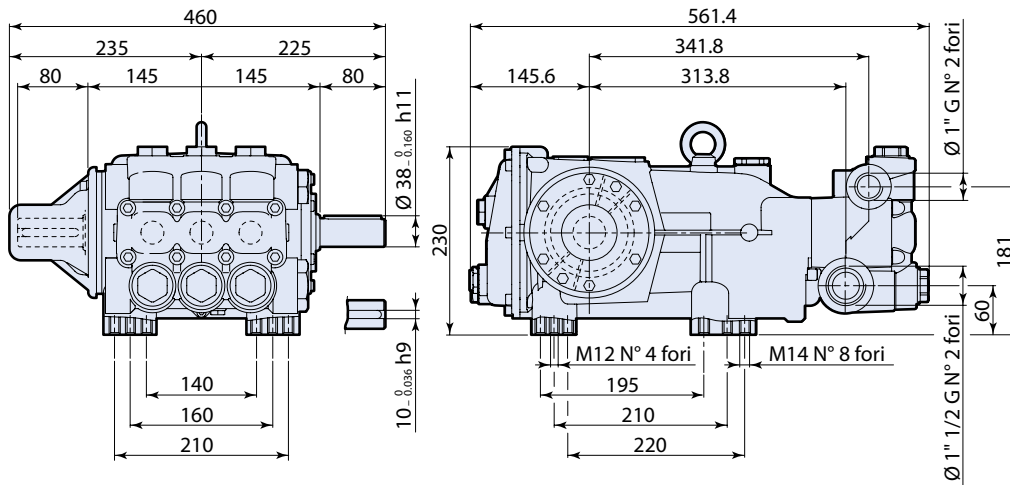
### DESCRIPTION



### SPECIFICATIONS

MAX GPM .....	18.5	MAX LMP.....	70
MAX PSI.....	4000	MAX BAR .....	275
POWER EBHP .....	50.8	BORE DIA. MM.....	25
STROKE MM.....	48	WEIGHT LBS.....	198
MAX TEMP .....	140°	OIL CAPACITY.....	137oz
INLET THREAD .....	1-1/2" F	DISCHARGE THREAD .....	1" F

### DIMENSIONS



Measurements are - mm

### FEATURING

**Manifold:** High strength forged brass for long term use.

**Bolts:** Eight 8mm grade 8.8.

**Plungers:** Are a special aluminum oxide blend, solid ceramic for long life, strong durability and more resilient.

**Valves:** Stainless steel with specially designed Ultra Form cages to provide long life and positive seating.

**Seals:** High pressure packing "V" style (D-1) Buna-N strong

and tightens under load, and low pressure seal "U" cup double lip Buna-N for a good positive seat.

**Drive End:** Oversized bearings for maximum life and load disbursement.

**Crankshaft:** Precision die-cast, large cross head for strength, large cooling fins and anodized (for maximum heat dissipation).