

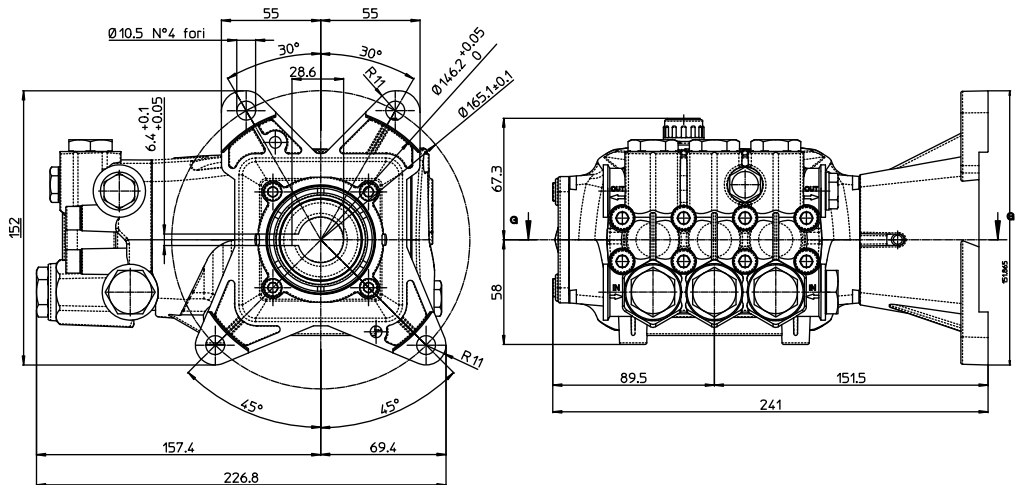
DESCRIPTION



SPECIFICATIONS

| | | | |
|--------------------|--------|------------------------|---------|
| MAX GPM | 3 | MAX LMP | 11.4 |
| MAX PSI | 3600 | MAX BAR | 248 |
| POWER EBHP | 7.4 | BORE DIA. MM | 15 |
| STROKE MM | 7.4 | WEIGHT LBS | 18 |
| MAX TEMP | 140° | OIL CAPACITY | 13.35oz |
| INLET THREAD | 1/2" F | DISCHARGE THREAD | 3/8" F |

DIMENSIONS



Measurements are - mm

FEATURING

Manifold: High strength forged brass for long term use.

Bolts: Eight 6mm.

Plungers: NEW Ceramic Plungers, thicker wall to help prevent thermal shock.

Valves: Stainless Steel, valve seat o-ring is side mounted.

Seals: High quality high pressure seals. NEW low-pressure seal with a built in scraper.

Piston Guides: Two piece piston guides.

Drive End: NEW connecting rod with 12% more load surface. Large side cover sight glass, oversized bearing. Rear cover oil drain.

Crankshaft: Forged, precision ground.