

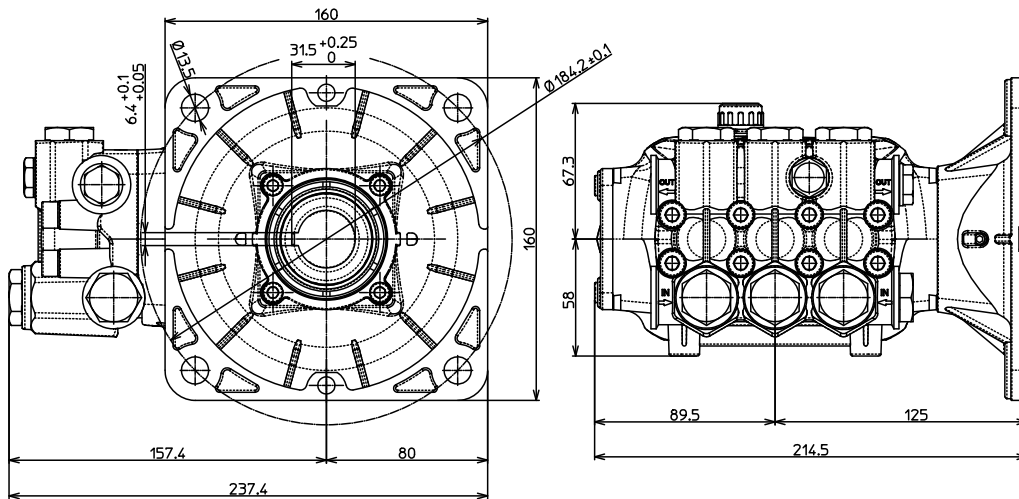
### DESCRIPTION



### SPECIFICATIONS

|                    |        |                        |         |
|--------------------|--------|------------------------|---------|
| MAX GPM .....      | 4.0    | MAX LMP .....          | 15.1    |
| MAX PSI .....      | 3000   | MAX BAR .....          | 207     |
| POWER EBHP .....   | 8.2    | BORE DIA. MM .....     | 18      |
| STROKE MM .....    | 12.2   | WEIGHT LBS .....       | 18      |
| MAX TEMP .....     | 140°   | OIL CAPACITY .....     | 13.35oz |
| INLET THREAD ..... | 1/2" F | DISCHARGE THREAD ..... | 3/8" F  |

### DIMENSIONS



Measurements are - mm

### FEATURING

**Manifold:** High strength forged brass for long term use.

**Bolts:** Eight 6mm.

**Plungers:** NEW Ceramic Plungers, thicker wall to help prevent thermal shock.

**Valves:** Stainless Steel, valve seat o-ring is side mounted.

**Seals:** High quality high pressure seals. NEW low-pressure seal with a built in scraper.

**Piston Guides:** Two piece piston guides.

**Drive End:** NEW connecting rod with 12% more load surface. Large side cover sight glass, oversized bearing. Rear cover oil drain.

**Crankshaft:** Forged, precision ground.