

DESCRIPTION

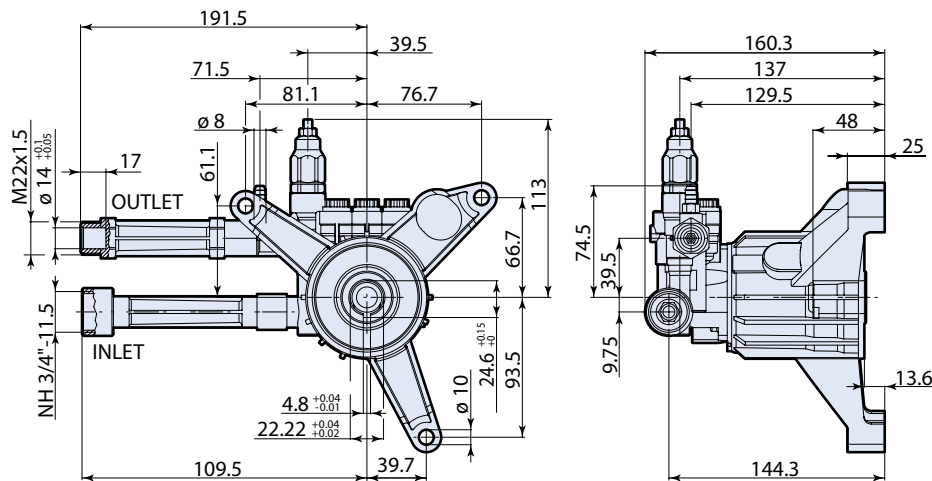
This plunger pump will pump up to 2.5 GPM at 2500 PSI. It spins at 3400 RPM in a direct drive system coupled with a gasoline engine. The matching flange provides convenient connection to most 7/8" shaft 1.1 - 5.5 HP engines. The hollow shafted pump includes a built-in pressure control valve, and chemical injection system.



SPECIFICATIONS

MAX GPM	2.5	MAX LMP	9.5
MAX PSI	2500	MAX BAR	172
POWER EBHP	4.3	BORE DIA. MM	12
STROKE MM	9.7	WEIGHT LBS	7.5
MAX TEMP	140°	OIL CAPACITY	2.2 OZ
INLET THREAD	3/4" GH	DISCHARGE THREAD	22MM

DIMENSIONS



Measurements are - mm

FEATURING

Manifold: Forged brass for long term use.

Bolts: Three 6mm cadmium plated steel.

Plungers: Hardened stainless steel.

Valves: Stainless steel poppet, seat and cage, stainless steel spring.

Seals: Buna-N dual seals.

Bearings: Premium oversized ball and needle bearings.

Crankshaft: Precision die-cast, with cooling fins for maximum heat dissipation. The housing retains the crankshaft bearing, oil seal and rear wobble plate bearing support washer.